



Instructions for ATV Spreader

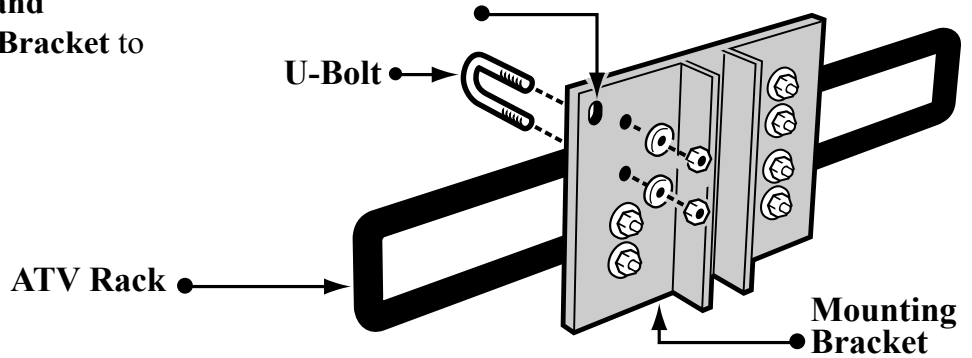
THANK YOU for your purchase of the **ATV Spreader**, a top quality Moultrie product. Please read both sides of this sheet before operating this unit. If you should have any questions about this or any other Moultrie product, please contact us using the information on the reverse side.

To help us better serve you, please complete and mail the enclosed **Warranty Card**.

I MOUNTING BRACKET TO ATV RACK

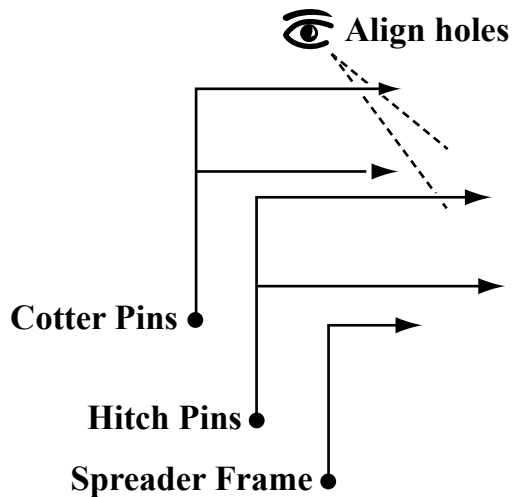
Using provided **Nuts, Washers and U-Bolts**, connect the **Mounting Bracket** to the rack of the **ATV** as shown.

NOTE: Oblong hole should be at top.



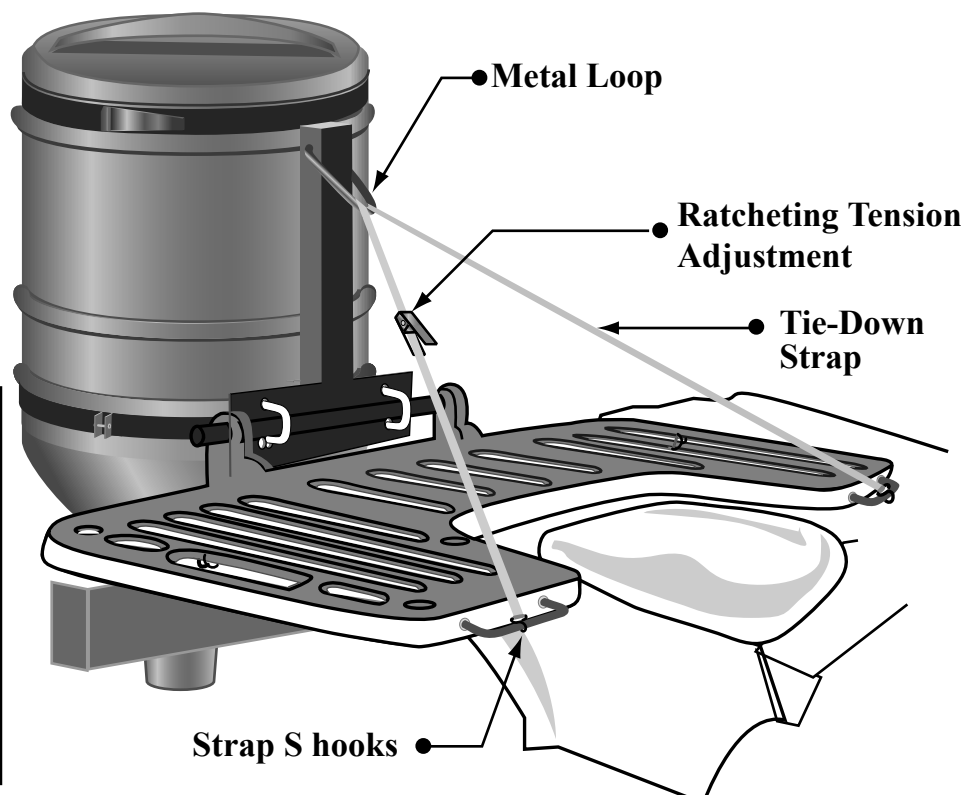
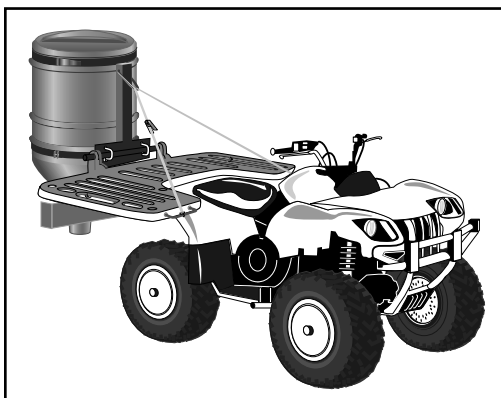
II CONNECTING THE SPREADER

When sliding **Feedgate Arm** through oblong hole, align the holes on the **Mounting Bracket** with the holes on the frame of the **Spreader**. Slide the two **Hitch Pins** through both of the holes and secure with **Cotter Pins** as shown.



III ATTACHING SUPPORT STRAP

Slide a **6' x 1" Ratcheting Tie-Down Strap** through **Metal Loop** on back of **ATV** frame. Place **S hooks** of ratchet strap around front of **ATV** rack. Adjust tension strap until firm.



IV CONNECTING POWER CABLE

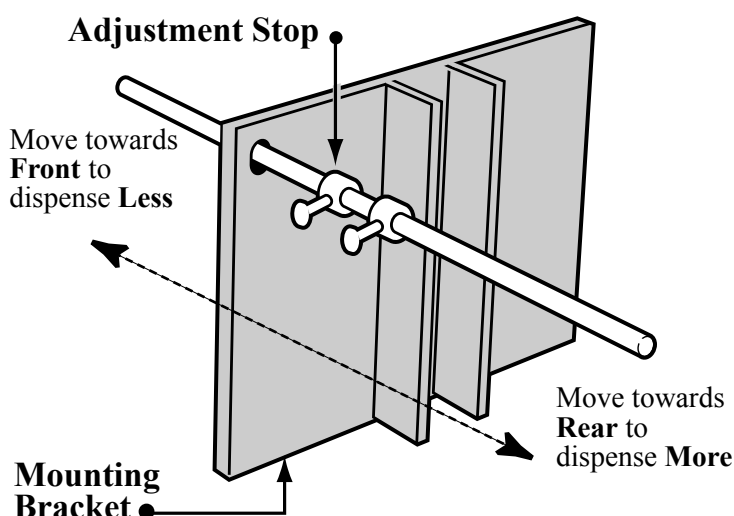


Make sure the power switch is in the **OFF** position. Connect the provided Power Cable to the motor switch via the black connectors. Connect to ATV's battery by attaching the **Red Alligator Clip** to the positive terminal (+), and the **Black Alligator Clip** to the negative (-) terminal.

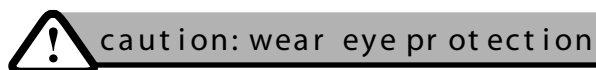
V ADDING MATERIAL AND ADJUSTING AMOUNT

1 Add desired material such as feed, fertilizer, seed, etc. to hopper and attach lid. Verify that Ratchet Strap is tight enough to hold the top of the hopper perpendicular to the ATV rack.

2 The **Adjustment Stop** allows you to set the amount of feed dispensed. Move **Adjustment Stop** towards the **front** of the ATV to dispense less material. Move the Adjustment Stop towards the **rear** of the ATV to dispense more material.

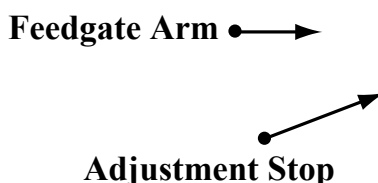


VI OPERATING UNIT



1 Turn the **Motor Switch** to the **ON** position.

2 To spread material, **Pull** the Spreader's **Feedgate Arm** towards you to Open the feedgate and **Push** arm away from you to Close. Reposition Adjustment Stop as appropriate.



VII CLEANING AND STORING UNIT

NOTE: FERTILIZER IS EXTREMELY CORROSIVE. After spreading material, completely wash and dry ATV Spreader. A light coat of oil on all metal parts and motor will help prevent rusting and corrosion.

TIPS & POINTERS

1: (Q) Can I leave the ATV Spreader connected to my ATV when it is not in use? (A) Yes, however to reduce the possibility of damage to the spreader, it is highly recommended that the hopper is empty.

2: (Q) Should I operate my ATV differently when the ATV Spreader is loaded?

(A) Yes, the additional weight in the rear of the ATV will cause the front-end of the ATV to be lighter. Care must be taken when traveling up and down hills due to this shift in weight.

3: (Q) What is the best way to set the dispensing amount? (A) Set the adjustment stop to the position in which you feel will provide the best coverage. Turn on spreader and open the Feedgate. Spread material for about 20 feet and then walk back to verify coverage. Reposition Adjustment Stop as appropriate.

4: (Q) Can I get replacement parts for my ATV Spreader? (A) Yes, you may purchase the following Moultrie replacement parts.

- Directional Shroud MFH-SS2
- Backplate MFH-P81686
- Bolt Pack MFH-P81539
- Motor MFH-P81747
- Wire Harness MFH-P81744
- Spin Plate MFH-P81145
- Hitch Pins MFH-P81363



Our Service Department will gladly answer any questions you have.
Call 205-664-6700 Monday – Friday, 8:00 AM to 5:00 PM CST.
www.moultriefeeders.com