



# Instructions for Deluxe Sprayer

**THANK YOU** for your purchase of the Moultrie Deluxe Sprayer. Please read this sheet before assembling the unit. If you should have any questions about this product or any other Moultrie product, please contact us using the information on the back of this sheet. To help us to better serve you, please complete and mail the enclosed Registration Card.

## I ASSEMBLING UNIT

**1** Attach Nozzle Bracket Arm to bottom of Tank using two large Phillips head screws as shown.

**2** Attach Intake Tube to Pump Inlet by rotating it in a clockwise direction as shown. When Intake Tube gets snug, stop rotation when tube is pointing downward as shown.

**3** Rotate the Pump Manifold onto the Pump Outlet. Attach Nozzle Hoses to the Pump Manifold as shown. Slide the provided Hose Clamp over the Spray Wand hose and firmly push hose onto barbed fitting on Pump Manifold. Use screw driver to secure Hose Clamp as shown.

**4** Slide Intake Tube into the hole on top of Tank. When Intake Tube is slid approximately halfway down, reach inside tank and push provided Strainer onto the bottom of Intake Tube as shown below.

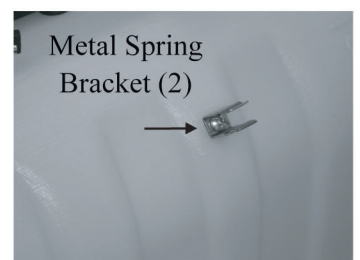
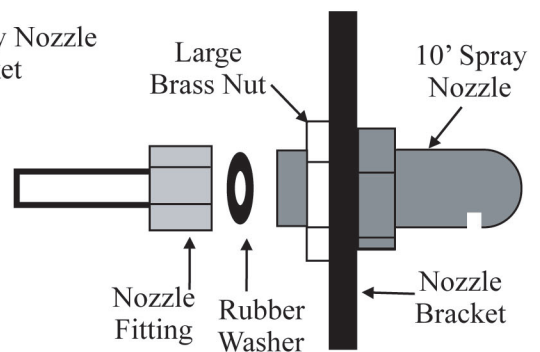
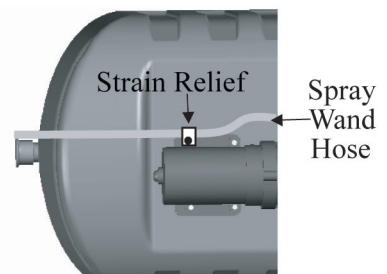
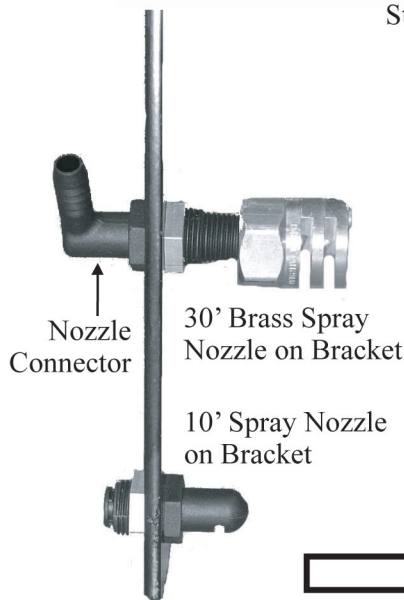
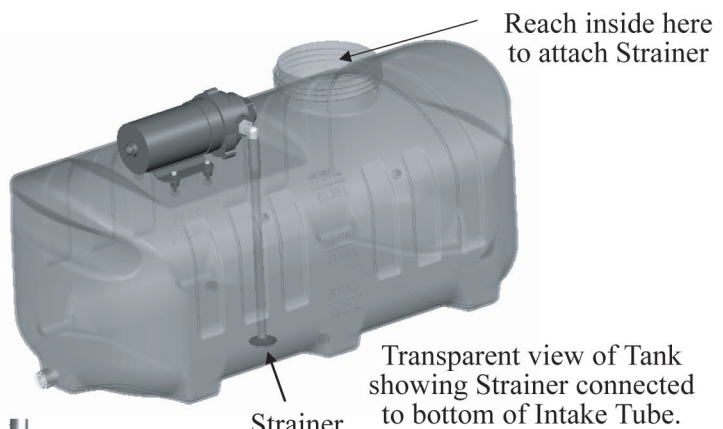
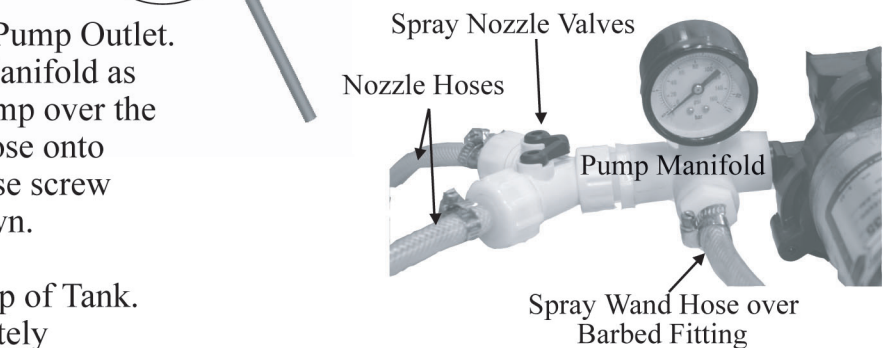
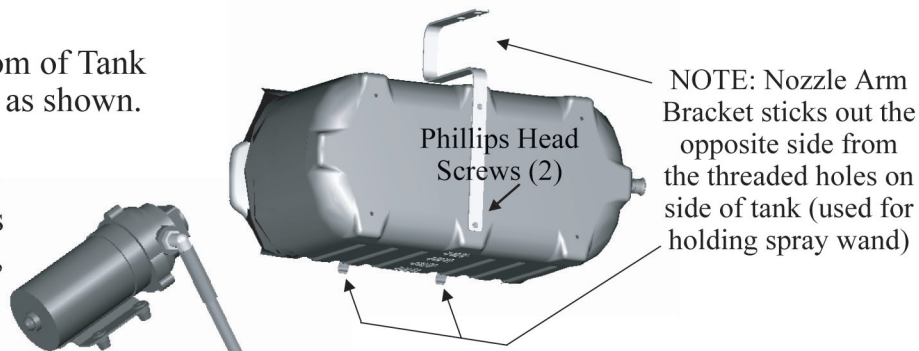
Align Pump with four holes on top of Tank. Place provided Strain Relief around Spray Wand Hose approximately four inches from the connection to the pump. Slide provided Screw through hole in Strain Relief and into mounting hole on pump as shown. Secure Pump to Tank using provided Screws.

**5** Insert Nozzle Connector through top hole on Nozzle Bracket Arm as shown and secure using provided Large Brass Nut. Rotate 30' Brass Spray Nozzle onto threaded end of Nozzle Connector until secure. Slots in 30' Brass Spray Nozzle should be pointed downward as shown. Slide provided Hose Clamp onto open-ended hose on Hose Assembly. Attach hose onto barbed fitting on Nozzle Connector and tighten Hose Clamp.

**6** Insert Black 10' Spray Nozzle into bottom hole of Nozzle Bracket Arm and secure using large brass nut as shown.

**7** Insert provided Rubber Washer into Nozzle Fitting on end of hose and screw Nozzle Fitting onto back of Black 10' Spray Nozzle as shown.


**8** Screw on provided shut-off valve onto Tank Drain Outlet on lower side of tank. Secure provided Metal Spring Brackets onto side of Tank using provided screw as shown. These Brackets will be used for holding the Spray Wand.



**9** Secure the Sprayer onto the ATV carrier rack and secure using ratchet straps (not included).

**10** Connect the Electrical Wire Harness to the Pump. Make sure the Electrical Harness's In-Line Switch is in the "O" position and plug the Electrical Wire Harness into the ATV's power outlet.

## II OPERATING INSTRUCTIONS

 Check the vehicle load rating before using this sprayer. Use extreme caution when operating vehicle due to weight of sprayer when tank is full.

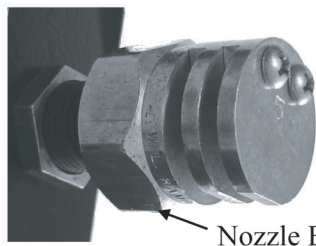
The pump draws solution from the tank, through the strainer and forces it out to the spray nozzle. Each spray nozzle can be individually turned on or turned off. The Spray Wand is enabled by squeezing the lever.

**1** **FILL:** Open large lid on top and pour desired solution into tank. If using a mix, carefully read the chemical label to determine handling, mixture, and disposal. Refer to the chart below for application rates in gallons per acre and gallons per 1000 square feet.

Gallons Per Acre	1 MPH	2MPH	3 MPH	4 MPH	5 MPH	6 MPH	7 MPH	8 MPH
10' Spray Nozzle	148.5	74.3	49.5	37.1	29.7	24.8	21.2	18.6
30' Spray Nozzle	49.5	24.8	16.5	12.4	9.9	8.3	7.1	6.2
Gallons per 1000 sq ft								
10' Spray Nozzle	3.41	1.70	1.14	0.85	0.68	0.57	0.49	0.43
30' Spray Nozzle	1.14	0.57	0.38	0.28	0.23	0.19	0.16	0.14

Consider weather and terrain conditions when setting the sprayer. Do not spray on windy days. Wear protective clothing if necessary.

**2** **CONFIGURE 30' NOZZLE:** The 30' Spray Nozzle is factory configured for a Uniform Spray Pattern, but may be configured for a Right Spray Only. To Configure for a Right Spray Only, remove the two screws and switch the position of the Spray Pattern Plates as shown.



Remove screws and put desired Spray Pattern Plate on first and then stack other Spray Pattern Plate on top. Re-install screws.




Uniform Spray Pattern Plate Right Spray Pattern Plate

**3** **APPLY POWER:** Plug the lighter plug into your ATV's accessory receptacle and turn the in-line power switch to the "1" position.

**4** **SELECT NOZZLE:** Turn the Spray Nozzle Valve to the on position to begin spraying. The ON Position is when the Spray Nozzle Valve handle is in-line with the hose. The OFF Position is when the Spray Nozzle Valve handle is perpendicular to the hose.

## III MAINTENANCE AND STORAGE

 Some chemicals can damage the pump assembly if exposed over an extended period of time. Always flush the pump with water after use. Follow chemical manufacturers instructions on disposal of all waste water from the sprayer.

**AFTER-USE CLEANING:** Fill the sprayer part way with water, start the sprayer and allow clear water to be pumped through the nozzles and wand. Refill the tank about half full with plain water and use a chemical neutralizer such as Nutra-Sol or equivalent and repeat cleaning instructions above. Follow the chemical manufacturer's disposal instructions of all wash or rinsing water.

**WINTER STORAGE:** Drain all water out of sprayer.



Our Service Department will gladly answer any questions you have. Call 205-664-6700 or 800-653-3334, Monday - Friday, 8:00 AM to 5:00 PM CST. [www.moultreiefeeders.com](http://www.moultreiefeeders.com)