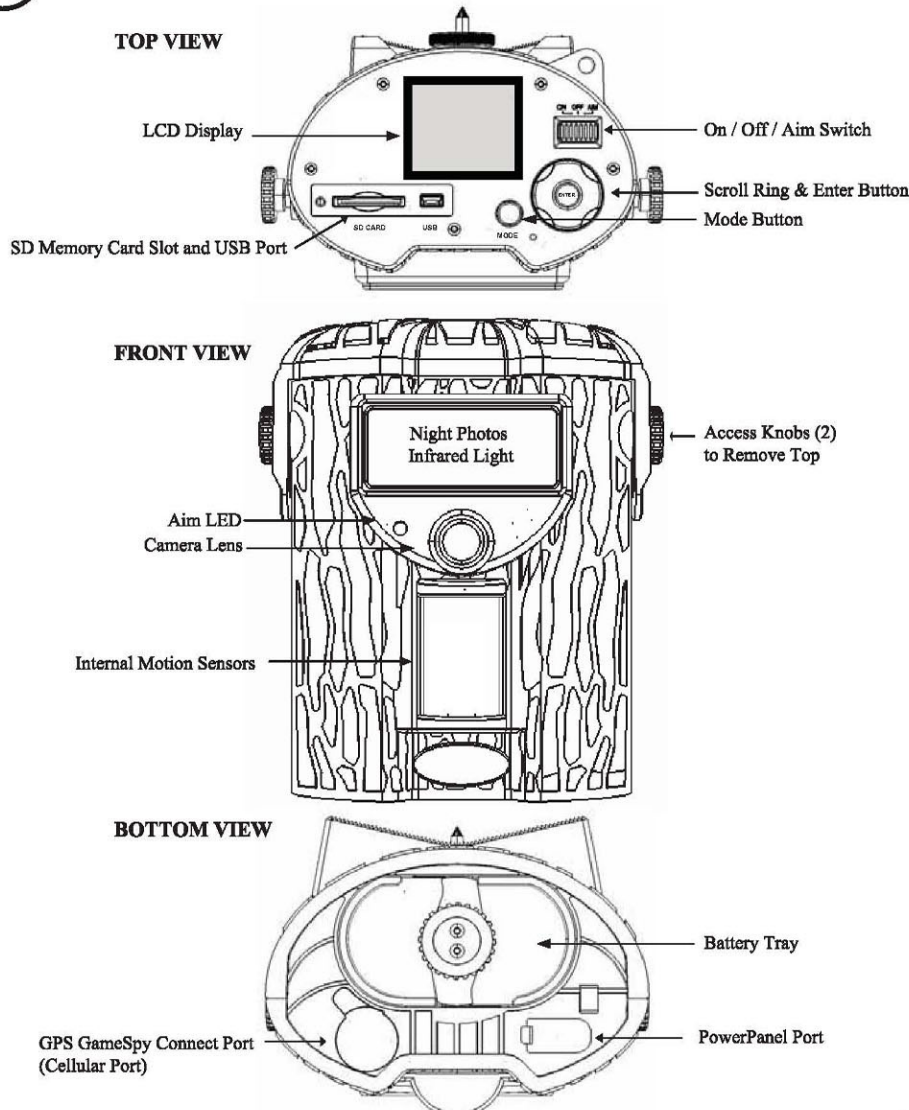




Instructions for I65 GameSpy Digital Camera

THANK YOU for your purchase of the Model I65 GameSpy Digital Camera. Please read this booklet before using the unit. If you should have any questions about this product or any other Moultrie product, please contact us using the information on the back of this sheet. Please register your camera at www.moultriefeeders.com TO ACTIVATE YOUR WARRANTY.

I GAMESPY OVERVIEW



I GAMESPY OVERVIEW (cont.)

ON / OFF / AIM SWITCH

Used for turning On, turning Off, or Aiming the camera. When in AIM position the red LED light on the front of the camera will illuminate. To help find the center field of view for the camera, stand out in front of the camera and move left or right as you observe the AIM LED - as you walk away from direct center the LED light will be less bright. As you walk towards center the LED will appear brighter.

MODE BUTTON

Switches between the five modes of the camera - Auto, Camera Setup Menu, Cellular Setup Menu, View Photos/Videos, or TM-L (Time Lapse). When either of the Menu modes are selected, the UP/DOWN positions on the SCROLL RING will step through the menu options. The Mode Button is also used to wake-up the camera and turn on the display when the camera is in a power saving mode.

SCROLL RING AND ENTER BUTTON

The Scroll Ring is used to navigate around the LCD display. UP/DOWN moves to the next menu item, ENTER selects the item to be changed, UP/DOWN scrolls through the options for the item and ENTER selects the option indicated on the display. The ENTER button is also used to manually take a picture.

SD Memory Card Slot

Accepts up to a 16GB SD Card for additional storage capabilities

USB Port

Download still pictures and video onto your computer by connecting provided cable

GPS GameSpy Connect Port (Cellular Port)

Accepts the Moultrie GPS GameSpy Connect accessory (sold separately) which allows photos to be immediately sent to your own personal inbox on the Moultrie Game Management Website. Refer to www.moultriefeeders.com for more details.

PowerPanel Port

Accepts the Moultrie PowerPanel accessory (sold separately) only. Refer to www.moultriefeeders.com for more information.

VII ADVANCED SETUP (cont.)

2 VIEWING PICTURES - USB

1. Plug provided USB cable into the USB port on your Windows Vista/XP computer.
2. Plug other end of USB cable into the camera's USB port.
3. To access JPG pictures and AVI movie files, navigate to "My Computer" and double click the "Moultrie CAM" folder.
4. To exit USB mode, follow Window's instructions for properly disconnecting a removable drive and then unplug the USB cable from the computer and the camera.

3 INFORMATION ON PICTURE

Barometric Pressure Temperature Moon Phase Time Camera ID

29.92 inHg ↓ 81F ☾ 09/12/09 02:31 PM TRAIL 15

Moon phase details:

1 2 3 4 5 6 7 8

New Moon Waxing Crescent First Quarter Waxing Gibbous Full Moon Waning Gibbous Last Quarter Waning Crescent

VIII GAMESPY CAMERA SPECIFICATIONS

Resolution	6.0 MP
Built-in storage Memory	128 MB
Resolutions	
LOW	VGA 640 x 480
MEDIUM	1.3MP 1280 x 960
HIGH	3.2MP 2046 x 1536
ENHANCED	6.0MP 2484 x 2136
Video	
HIGH	640 x 480
LOW	320 x 240
Approximate photos stored internal memory	
LOW	932
MEDIUM	266
HIGH	118
ENHANCED	69
Approximate video time stored internal memory	
HIGH	3.5min
LOW	7min
Approximate photos stored 1GB SD card	
LOW	5557
MEDIUM	1784
HIGH	950
ENHANCED	575
Approximate video time stored 1GB SD card	
HIGH	30min
LOW	60min
Optional SD Memory Card	16 GB Max
Optical Field of View	52 degrees
Batteries	4 Alkaline D-cell
Approximate Detection Range	30 +/- 5 feet

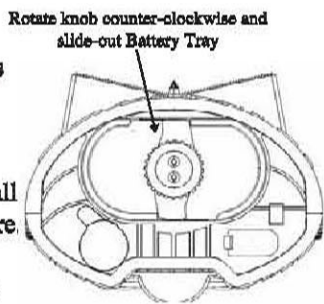


Our Service Department will gladly answer any questions you have. Call 205-664-6700 or 800-653-3334, Monday - Friday, 8:00 AM to 5:00 PM CST.
www.moultriefeeders.com

09082009R3 / MFH-I65

II QUICK START INSTRUCTIONS

- 1** Rotate knob on bottom of Camera counter-clockwise and slide-out Battery Tray as shown.
- 2** Install four (4) D size Alkaline batteries with polarities as indicated on Battery Tray. Re-install Battery Tray and rotate knob clockwise to secure.
- 3** Secure Camera to tree or pole using strap loops on back and provided Strap.
- 4** Turn Camera on by sliding ON/OFF/AUTO switch to the ON position. Press the MODE button one time to get to the Camera Setup Menu. Set Time and Date.
- 5** Press MODE button until AUTO is displayed
- 6** Your Camera will now automatically take pictures whenever an animal is detected in range - based on the default settings below



III DEFAULT SETTINGS

Menu Option	Setting
Camera Name	MYCAMERA
Capture Mode	Still
Photo Delay after each photo is taken	1 minute
Photo Quality	High
Multi Shot Count	1-Shot
Flash	ON
Info Strip printed on photos	ON
Temperature	Fahrenheit

IV MODES OF OPERATION

Your Game Camera has multiple modes of operation that may be enabled by navigating to the appropriate screens via the MODE button. Each time the MODE button is pressed, the software advances to the next mode. The sequence is: AUTO -> CAMERA SETUP (first item in menu is SETUP DATE/TIME) -> CELLULAR SETUP MENU (first item in menu is CELLULAR ON/OFF) -> VIEW PHOTOS?VIDEOS -> TM-L (Time Lapse) then back to AUTO and repeat.

- 1** **AUTO MODE:** Use the AUTO mode to take photos or videos based on the detection of an animal.

AUTO P0000/0100	<i>number of photos taken/remaining photos</i>
DELAY: 00:30	<i>number of seconds before camera is ready to take next picture</i>
BATTERY: 95%	<i>battery life remaining or EXTERNAL BATTERY when the External Power option is used</i>

- 2** **CAMERA SETUP MODE:** Use the CAMERA SETUP mode to customize the operation of your camera. Press UP/DOWN to move to the next item on the list. Press ENTER to select the item. Refer to the Camera Setup section of this manual for details.

SETUP DATE/TIME	<i>sets time and date of camera</i>
CAPTURE MODE	<i>changes between still photo and video mode</i>
PHOTO QUALITY	<i>sets resolution of photos taken</i>
PHOTO DELAY	<i>sets delay between photos when an animal is detected and in range</i>
MULTI SHOT COUNT	<i>sets number of still photos taken for each separate detection</i>
VIDEO RESOLUTION	<i>sets resolution of videos taken</i>
VIDEO LENGTH	<i>sets length of time a video is recorded for each separate detection</i>
CAMERA NAME	<i>sets camera name to be printed on the photo information strip</i>
TIME LAPSE	<i>allows user to set the start time and duration for Time Lapse picture taking</i>
TEMPERATURE	<i>changes the temperature from Fahrenheit to Celsius on the photo information strip</i>
IR TEST	<i>turns the IR test function on and off</i>
INFO STRIP	<i>enables or disables the information strip on photos</i>
DEFAULT SETTINGS	<i>restores all Setup values to the factory defaults</i>

IV MODES OF OPERATION (cont.)

DELETE PHOTOS	<i>removes all photos from the internal memory or SD card when installed</i>
FLASH	<i>enables or disables camera flash operation</i>
SECURITY CODE	<i>Sets a security code for the camera</i>

- 3 CELLULAR SETUP MODE:** Use the CELLULAR SETUP mode to customize the transfer of photos from your camera to your own personal inbox on the Moultrie Game Management website (see www.moultriegamemanagement.com). Press UP/DOWN to move to the next item on the list. Press ENTER to select the item. Refer to the Cellular Setup section of this manual for details.

CELLULAR ON/OFF	<i>enables or disables communication between the camera and Moultrie website server</i>
MAX IMAGES/DAY	<i>sets the number of images uploaded to the website each day</i>
DELETE PHOTOS	<i>enables or disables automatic deletion of photos from the camera after uploading</i>
PHOTO UPLOAD RES	<i>sets the resolution of the photos to be uploaded</i>
PHOTO UPLOAD	<i>enables or disables the immediate upload function</i>
CAMERA LOG	<i>log of all communications between the camera and Moultrie website server</i>

- 4 VIEW PHOTOS/VIDEOS MODE:** Use the VIEW PHOTOS/VIDEO mode to view and individually delete photos or videos.

P 1/1	<i>photo shown on screen/photos</i>
-------	-------------------------------------

- 5 TIME LAPSE MODE:** Use the Timelapse mode to take photos or videos on a periodic basis.

TM-L P0000/0100	<i>number of photos taken/remaining photos available</i>
DELAY: 01:01:01	<i>number of hours:minutes:seconds before camera takes next photo</i>
BATTERY: 95%	<i>battery life remaining or EXTERNAL BATTERY when the External Power option is used</i>

V CAMERA SETUP

- **Setup Date/Time** – Sets time and date of camera. The time and date are retained between battery changes. Time is not automatically adjusted for daylight savings time.
Display Format - Date: 01/01/10; Time: 12:00 AM
Operation – press LEFT/RIGHT to move to the next field; press UP/DOWN to modify the selected field; press ENTER to save selections
- **Capture Mode** – Changes between still photo and video mode
Default – STILL
Options – STILL or VIDEO
Operation – press UP/DOWN to select the desired field; press ENTER to accept the selected field.
- **Photo Quality** – Sets resolution of photos taken. Higher quality photos have higher resolution resulting in clearer images, especially when zooming in. Higher quality photos also require more camera memory, which limits the number of photos available. Refer to the Specifications section of this manual to determine the number of photos available based on photo quality.
Default – HIGH
Options – LOW, MEDIUM, HIGH or ENHANCED
Operation – press UP/DOWN to select the desired field; press ENTER to accept the selected field.
- **Photo Delay** – Sets delay between photos or Multi Shot photos when an animal is detected and remains in range.
Default – 1 (minute)
Options – 1, 5, 10, 30, 60 (minutes)
Operation – press UP/DOWN to select the desired field; press ENTER to accept the selected field.
- **Multi Shot Count** – When the camera is set for STILL on the Capture Mode screen, the Multi Shot Count sets the number of still photos taken for each separate detection with a delay of approximately 5 seconds between pictures. If the Multi Shot Count is set to 2 (shots), and the Photo Delay is set to 5 (minutes), the camera will take 2 photos every 5 minutes when an animal is detected and remaining in range.
Default – 1 (shot)
Options – 1, 2, or 3 (shots)
Operation – press UP/DOWN to select the desired field; press ENTER to accept the selected field.

V CAMERA SETUP (cont.)

- **Video Resolution** – Sets resolution of videos taken. Higher quality videos have higher resolution resulting in clearer footage. Higher quality photos also require more camera memory, which limits the number of photos available. Refer to the Specifications section of this manual to determine the number of photos available based on photo quality.
Default – LOW
Options – LOW or HIGH
Operation – press UP/DOWN to select the desired field; press ENTER to accept the selected field.

- **Video Length** – When the camera is set for VIDEO on the Capture Mode screen, the Video Length sets the amount of time video is recorded for each separate detection.
Default – Day = 5 (seconds); Night = 10 (seconds) if 15 or 30 seconds is chosen.
Options – 5, 15, or 30 (seconds)
Operation – press UP/DOWN to select the desired field; press ENTER to accept the selected field.

- **Camera Name** – Sets camera name to be printed on the photo when the Photo Info strip is on.
Default – MyCamera
Display Format – 10 characters
Operation – press LEFT/RIGHT to move to the next field; press UP/DOWN to modify the selected field; press ENTER to save selections.

- **Time Lapse** – Defines settings for Time Lapse mode.
Default – Start Time 6:00am, Time Lapse Freq 12HR
Options – Time Lapse 1,4,8,12 or 24 Hours
Operation – press LEFT/RIGHT to select the desired field; press ENTER to accept the selected field.

- **Temperature** – Changes the temperature from Fahrenheit to Celsius on the photo when the photo Info Strip is on.
Default – FAHRENHEIT
Options – FAHRENHEIT or CELSIUS
Operation – press UP/DOWN to select the desired field; press ENTER to accept the selected field.

V CAMERA SETUP (cont.)

- **IR Test** – Turns the IR test function on and off. The IR test function is used to test the sensing range of the camera. With the IR test function on, the LED on the front of the camera flashes each time the camera detects something without taking a photo.
Default – OFF
Options – ON or OFF
Operation – press LEFT/RIGHT to select the desired field; press ENTER to accept the selected field.

- **Info Strip** – Enables or disables the information strip on the photo. Refer to the Advanced Setup section of this manual for more details.
Default – OFF
Options – ON or OFF
Operation – press LEFT/RIGHT to select the desired field; press ENTER to accept the selected field.

- **Default Settings** – Restores all Setup values to the factory defaults.
Default – NO
Options – NO or YES
Operation – press LEFT/RIGHT to select the desired field; press ENTER to accept the selected field.

- **Delete Photos** – Removes all photos from the internal memory or SD card (when installed).
Default – NO
Options – NO or YES
Operation – press LEFT/RIGHT to select the desired field; press ENTER to accept the selected field.

- **Flash** – Enables or disables operation of the camera flash.
Default – ON
Options – ON or OFF
Operation – press LEFT/RIGHT to select the desired field; press ENTER to accept the selected field.

- **Security Code** – The security code is for security purposes, as it renders the camera useless to a thief if your camera is stolen. If a code is entered in setup, it will need to be entered every time the camera menu is accessed. Please record and retain your security code number so you do not get locked-out of your camera.
Default – No security code
Display Format – 5 characters - alphanumeric
Operation – press UP/DOWN to modify the selected field; press LEFT/RIGHT to move to the next field; press ENTER to save selections.

VI CELLULAR SETUP

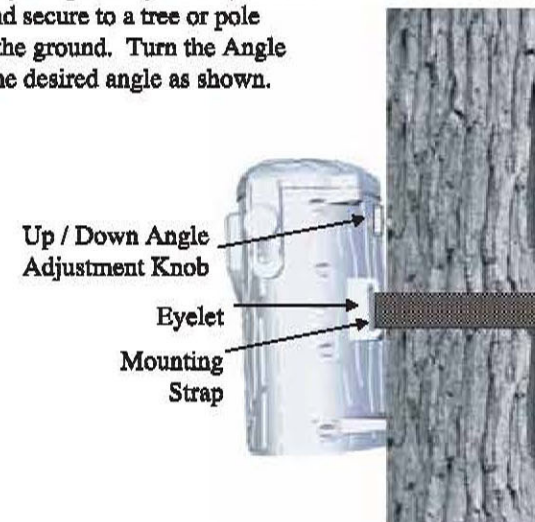
The features in the Cellular Setup menu only apply to the optional GPS GameSpy Connect product (sold separately).

- **Cellular On/Off** – If you have the GPS GameSpy Connect option, Cellular On/Off enables or disables communication between the camera and Moultrie website server.
Default – OFF
Options – OFF or ON
Operation – press LEFT/RIGHT to select the desired field; press ENTER to accept the selected field.
- **Max Images/Day** – Sets the number of images uploaded to the website each day.
Default – 10
Options – Unlimited, 05, 10, 20, 30
Operation – press UP/DOWN to select the desired field; press ENTER to accept the selected field.
- **Delete Photos** – Enables or disables automatic deletion of photos from the camera after uploading.
Default – NO
Options – NO or YES
Operation – press LEFT/RIGHT to select the desired field; press ENTER to accept the selected field.
- **Photo Upload Res** – Sets the resolution of the photos to be uploaded to the Moultrie Server. Higher quality photos use up more of your monthly plan.
Default – LOW
Options – LOW, MED, or HIGH
Operation – press UP/DOWN to select the desired field; press ENTER to accept the selected field.
- **Photo Upload** – Enables or disables the immediate upload function. If set to YES, photos will be sent to your Moultrie Inbox immediately after they are taken. This allows you to view photos on-line immediately after they are captured, but can significantly REDUCE BATTERY LIFE.
Default – NO
Options – NO or YES
Operation – press LEFT/RIGHT to select the desired field; press ENTER to accept the selected field.

VII ADVANCED SETUP

1 MOUNTING CAMERA

Thread provided Mounting Strap through the Eyelets on the back of the camera and secure to a tree or pole approximately 36" from the ground. Turn the Angle Adjustment knob to set the desired angle as shown.



NOTE: Changes or Modifications not expressly approved by the party responsible could void the user's authority to operate this device.

The device complies with part 15 of the FCC Rules. Operation is subject to the following two conditions: (1) this device may not cause harmful interference, and (2) this device must accept any interference received, including interference that may cause undesired operation.

NOTE: THE MANUFACTURER IS NOT RESPONSIBLE FOR ANY RADIO OR TV INTERFERENCE CAUSED BY UNAUTHORIZED MODIFICATIONS TO THIS EQUIPMENT. SUCH MODIFICATIONS COULD VOID THE USER AUTHORITY TO OPERATE THE EQUIPMENT.

NOTE: This equipment has been tested and found to comply with the limits for a Class B digital device, pursuant to Part 15 of the FCC Rules. These limits are designed to provide reasonable protection against harmful interference in a residential installation. This equipment generates uses and can radiate radio frequency energy and, if not installed and used in accordance with the instructions, may cause harmful interference to radio communications. However, there is no guarantee that interference will not occur in a particular installation.

If this equipment does cause harmful interference to radio or television reception, which can be determined by turning the equipment off and on, the user is encouraged to try to correct the interference by one or more of the following measures:

- Reorient or relocate the receiving antenna
- Increase the separation between the equipment and receiver
- Connect the equipment into an outlet on a circuit different from that to which the receiver is connected
- Consult the dealer or an experienced radio/TV technician for help