

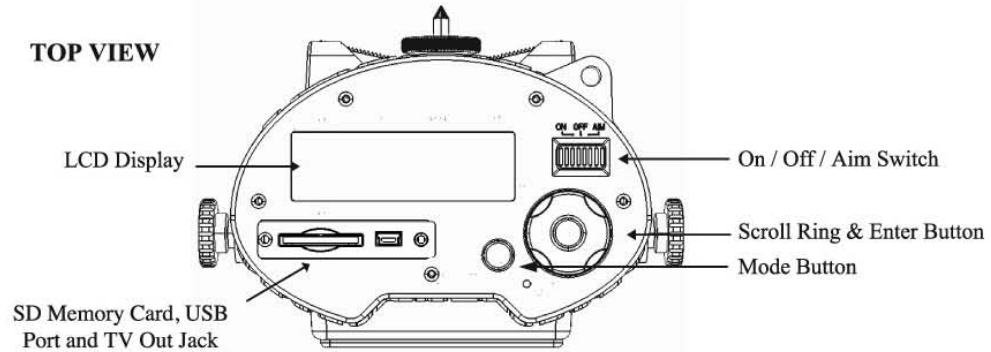


Instructions for I45s GameSpy Digital Camera

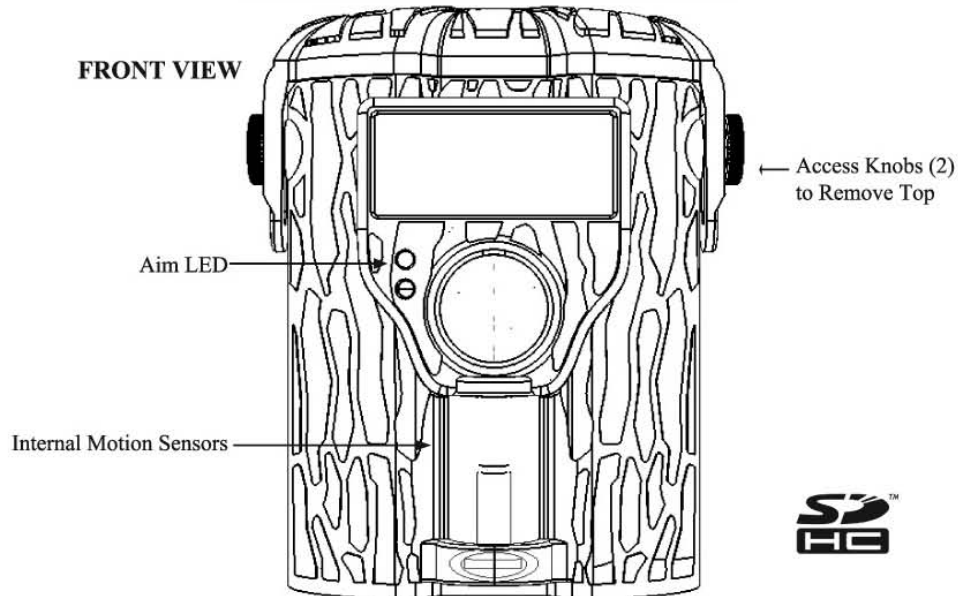
THANK YOU for your purchase of the Model I45s GameSpy Digital Camera. Please read this booklet before using the unit. If you should have any questions about this product or any other Moultrie product, please contact us using the information on the back of this sheet. Please register your camera at www.moultriefeeders.com to activate your warranty.

I GAMESPY OVERVIEW

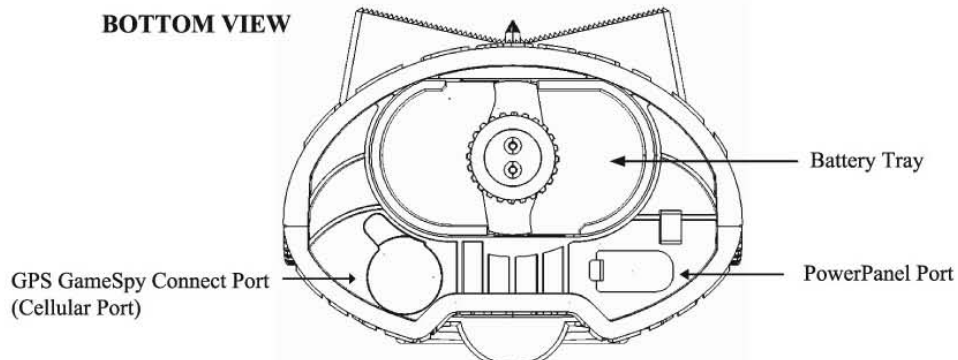
TOP VIEW



FRONT VIEW



BOTTOM VIEW



I GAMESPY OVERVIEW (cont.)

ON / OFF / AIM SWITCH

Used for turning On, turning Off, or Aiming the camera. When in AIM position the red LED light on the front of the camera will illuminate. To help find the center field of view for the camera, stand out in front of the camera and move left or right as you observe the AIM LED - as you walk away from direct center the LED light will be less bright. As you walk towards center the LED will appear brighter.

MODE BUTTON

Switches between the three modes of the camera - Auto, Camera Setup Menu, and Cellular Setup Menu. When either of the Menu modes are selected, the UP/DOWN positions on the SCROLL RING will step through the menu options. The Mode Button is also used to wake-up the camera and turn on the display when the camera is in a power saving mode.

SCROLL RING AND ENTER BUTTON

The Scroll Ring is used to navigate around the LCD display. UP/DOWN moves to the next menu item, ENTER selects the item to be changed, UP/DOWN scrolls through the options for the item and ENTER selects the option indicated on the display. The ENTER button is also used to manually take a picture.

SD Memory Card Slot

Accepts up to a 16GB SD Card for additional storage capabilities

USB Port

Download still pictures and video onto your computer by connecting provided cable

GPS GameSpy Connect Port (Cellular Port)

Accepts the Moultrie GPS GameSpy Connect accessory (sold separately) which allows photos to be immediately sent to your own personal inbox on the Moultrie Game Management Website. Refer to www.moultriefeeders.com for more details.

PowerPanel Port

Accepts the Moultrie PowerPanel accessory (sold separately) only. Refer to www.moultriefeeders.com for more information.

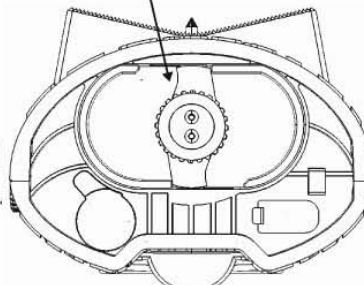
TV Out Jack

View still pictures and videos on your TV by connecting a 2.5mm video cable (sold separately).

II QUICK START INSTRUCTIONS

1 Rotate knob on bottom of Camera counter-clockwise and slide-out Battery Tray as shown.

Rotate knob counter-clockwise and slide-out Battery Tray



2 Install four (4) D size Alkaline batteries with polarities as indicated on Battery Tray. Re-install Battery Tray and rotate knob clockwise to secure.

3 Secure Camera to tree or pole using strap loops on back and provided Strap.

4 Turn Camera on by sliding ON/OFF/AUTO switch to the ON position. Press the MODE button one time to get to the Camera Setup Menu. Set Time and Date by pressing ENTER, using UP/DOWN to adjust selected field, LEFT/RIGHT to move to the next field and ENTER when done.

5 Press MODE button until AUTO is displayed

6 Your Camera will now automatically take pictures whenever an animal is detected in range - based on the default settings below

III DEFAULT SETTINGS

Menu Option	Setting
Camera Name	MYCAMERA
Capture Mode	Still
Photo Delay after each photo is taken	1 minute
Photo Quality	High
Multi Shot Count	1-Shot
Flash	ON
Info Strip printed on photos	ON
Temperature	Fahrenheit

IV **MODES OF OPERATION**

Your Game Camera has multiple modes of operation that may be enabled by navigating to the appropriate screens via the MODE button. The camera powers-up in AUTO mode. Each time the MODE button is pressed, the software advances to the next mode. The sequence is: AUTO -> CAMERA SETUP (first item in menu is SETUP DATE/TIME) -> CELLULAR SETUP MENU (first item in menu is CELLULAR MODEM) then back to AUTO and repeat.

1 **AUTO MODE**

The camera should be in AUTO mode when using it to take pictures or videos based on the detection of an animal. In AUTO mode the display shows the number of pictures taken / total pictures, DLY and the battery strength (B:94%) or EXBATT when a Moultrie External Power Option is used. DLY is the the number of seconds before the camera will be armed and ready to take the next picture.

AUTO P:0000/0331
DLY: 00:05 B:95%

2 **CAMERA SETUP MODE**

Enables you to customize the operation of your camera - refer to the CHANGING CAMERA SETUP section of this manual. The camera automatically goes into the AUTO mode after 4 minutes of inactivity.

SETUP DATE/TIME
9/15/2009 12:00PM

3 **GAMESPY CONNECT SETUP MODE**

Settings for the Moultrie GameSpy Connect option which allows photos to be immediately sent to your own personal inbox on the Moultrie Game Management Website. Refer to www.moultriegamemanagement.com for more details.

CELLULAR MODEM
OFF

V CAMERA SETUP

The Scroll Ring is used to navigate through the available settings. UP/DOWN moves to the next menu item, ENTER selects the item to be changed.

- **Set Time and Date** – on the SETUP DATE/TIME screen, press the ENTER button to select the Month and use UP/DOWN to modify. Press LEFT/RIGHT to move to the next field. Press the ENTER button again to save your selections. The Time and Date is retained between battery changes. Time is not automatically adjusted for daylight savings.

SETUP DATE/TIME
09/01/09 12:00PM

- **Capture Mode** (default Still) – the GameSpy Camera is able to take still photos or videos. Press the ENTER button on the CAPTURE MODE screen to edit the settings and the UP or DOWN button to change to the desired setting. There are two video settings – STILL or VIDEO. Press ENTER again to retain desired setting.

CAPTURE MODE
STILL

- **Photo Quality** (default High) – The higher the quality of the photo/image the more memory it consumes. However, higher quality images have higher resolution which results in clearer images – especially when zooming in. There are four photo/image quality settings – LOW, MEDIUM, HIGH and ENHANCED. Press the ENTER button on the PHOTO QUALITY screen to edit the setting and the UP/DOWN to change to the desired setting. Refer to SPECIFICATIONS section of this document for details on number of images stored based on Photo Quality.

PHOTO QUALITY
HIGH

- **Photo Delay** (default 1 minute) – The photo delay determines the number of minutes between pictures when an animal is detected and remains in range. To change the PHOTO DELAY, press the ENTER button on the IMAGE DELAY screen to edit the setting and the UP or DOWN button to change to the desired setting. Photo Delays can be set to 1, 5 10, 30 and 60 minutes.

PHOTO DELAY
1 MIN

V CAMERA SETUP (cont.)

→ **Multi Shot Count** (default 1-Shot) – When the GameSpy Camera is configured for STILL in the Capture Mode screen, the camera can take 1, 2, or 3 pictures each time an animal is detected. There is an approximate 5 second delay between pictures based on battery strength. To change the number of pictures taken, press the ENTER button on the MULTI IMAGE screen to edit the setting and the UP/DOWN button to change to the desired setting.

MULTI IMAGE
1-SHOT

→ **Video Resolution** (default Low) – Video resolution can be set to LOW or HIGH. The higher the quality of the video, the more memory it consumes. However, higher quality videos have higher resolution. Press the ENTER button on the VIDEO RESOLUTION screen to edit the setting and the UP/DOWN to change to the desired setting. Refer to SPECIFICATIONS section of this document for details on number of images stored based on Photo Quality.

VIDEO RESOLUTION
LOW

→ **Video Length** (default 5 seconds) – When the GameSpy Camera is configured for VIDEO in the Capture Mode screen, the camera will record video for a designated amount of time each time an animal is detected. To change the amount of time recorded, press the ENTER button on the VIDEO LENGTH screen to edit the setting and the UP/DOWN button to change to the desired setting (5 , 15 or 30 seconds). The default video length is 10 seconds at night.

VIDEO LENGTH
15 sec

→ **Camera Name**– the Camera Name is printed on the photos and provides a point of reference when multiple cameras are used. To change the Camera Name, press the ENTER button on the CAMERA ID screen to modify the first character. Press the UP/DOWN button to select the desired character (A to Z, 0 to 9, dash or space). Press LEFT/RIGHT to move to the next character.

CAMERA NAME
MYCAMERA

→ **Temperature** (default Fahrenheit) – the temperature is printed on the photo and can be in degrees Fahrenheit or Celsius. To change the temperature units, press the ENTER button on the TEMPERATURE screen and the UP or DOWN button to change to the desired units.

TEMPERATURE
FAHRENHEIT

V CAMERA SETUP (cont.)

- **IR TEST**– The IR Test function can be turned ON to test the sensing range of the camera. With IR Aim ON the LED on the front of the camera will flash each time the camera detects presence; however, a picture will not be taken.

IR TEST
OFF

- **Info Strip** - When the Info Strip is turned ON, the information strip, as described in the Advanced Setup section of this manual, is printed on the photos. When the Info Strip is turned OFF, the photo contains no information strip. Press ENTER on the INFO STRIP screen. Press UP/DOWN to change the value. Press Enter again to select value.

INFO STRIP
ON

- **Default Settings** (default No) – To restore all the settings back to the factory default, press the ENTER button on the DEFAULT SETTINGS screen. Press the UP/DOWN button to change the value to YES and ENTER to activate.

SET TO DEFAULT
NO

- **Delete Photos** (default No) – To remove all the images from the internal memory or on the SD card if installed, press the ENTER button on the ERASE IMAGES screen. Press the UP/DOWN button to change the value to YES and SELECT to erase photos.

DELETE PHOTOS
NO

- **Flash** (default On) – To modify the Flash setting, press the ENTER button on the FLASH screen. Press UP/DOWN to switch between FLASH ON and FLASH OFF and press ENTER again to select desired setting.

FLASH
ON

VI GPS GAMESPY CONNECT SETUP

GPS GameSpy Connect is an optional accessory and is sold separately. Refer to www.moultriefeeders.com for more information.

- **Cellular Modem** - If you have the GPS GameSpy Connect option, turn on the Cellular Modem to enable communications between the camera and the Moultrie Server. Press ENTER on the CELLULAR MODEM screen, press UP/DOWN to change the value and ENTER again to select value.

CELLULAR MODEM
ON

- **Max Images/Day** - Use this option to limit number of images sent per day. Press ENTER on the MAX IMAGES/DAY screen, press UP/DOWN to change the value and ENTER again to select value.

MAX IMAGES/DAY
5

- **Delete Photos After Upload**
To remove photos from camera memory after they have been sent to the Moultrie Server, press ENTER on the DELETE PHOTOS AFTER UPLOAD screen, press UP/DOWN to change the value to Y and ENTER again to select value.

DELETE PHOTOS
AFTER UPLOAD? N

- **Photo Upload Resolution**
Photos can be stored in camera memory at one resolution (Photo Quality) and sent to the Moultrie Server (Photo Upload) in a lower resolution. The lower the Photo Upload Resolution, the (a) smaller the file (b) less megabytes required from your monthly plan and (c) the lesser the quality of the image sent to your Moultrie InBox. PHOTO UPLOAD RES = LOW WILL ALLOW THE MAXIMUM NUMBER OF PHOTOS TO BE SENT TO YOUR ACCOUNT WITHIN A FIXED MEGABYTE PLAN. To change the Photo Upload Resolution, press ENTER on the PHOTO UPLOAD RES screen, press UP/DOWN to change the value and ENTER again to select value. Resolution settings include LOW, MEDIUM, and HIGH.

PHOTO UPLOAD RES
LOW

VI GPS GAMESPY CONNECT SETUP (cont.)

→ **Immediate Upload Photos** - If set to YES, photos will be sent to your Moultrie InBox immediately after they are taken. The battery life of your GPS GameSpy Connect decreases each time it communicates with the Moultrie Server. While setting IMMEDIATE UPLOAD PHOTOS to YES will allow you to view your photos on-line immediately after they are captured, it can significantly DECREASE YOUR BATTERY LIFE. For immediate image upload, press MODE to select Cellular Setup, press LEFT/RIGHT to scroll to IMMEDIATE UPLOAD PHOTOS and press ENTER. NO will begin to flash. Scroll UP/DOWN to YES, then press ENTER to retain selection.

IMMEDIATE UPLOAD
PHOTOS NO

→ **Camera Log**
Captures all communication events which occur between the camera and Moultrie server. This function is used for troubleshooting by Moultrie customer service representatives.

CAMERA LOG

FCC Statements

FC Moultrie Products, LLC
MFH-I45s

NOTE: Changes or Modifications not expressly approved by the party responsible could void the user's authority to operate this device.

The device complies with part 15 of the FCC Rules. Operation is subject to the following two conditions: (1) this device may not cause harmful interference, and (2) this device must accept any interference received, including interference that may cause undesired operation.

NOTE: THE MANUFACTURER IS NOT RESPONSIBLE FOR ANY RADIO OR TV INTERFERENCE CAUSED BY UNAUTHORIZED MODIFICATIONS TO THIS EQUIPMENT. SUCH MODIFICATIONS COULD VOID THE USER AUTHORITY TO OPERATE THE EQUIPMENT

NOTE: This equipment has been tested and found to comply with the limits for a Class B digital device, pursuant to Part 15 of the FCC Rules. These limits are designed to provide reasonable protection against harmful interference in a residential installation. This equipment generates uses and can radiate radio frequency energy and, if not installed and used in accordance with the instructions, may cause harmful interference to radio communications. However, there is no guarantee that interference will not occur in a particular installation.

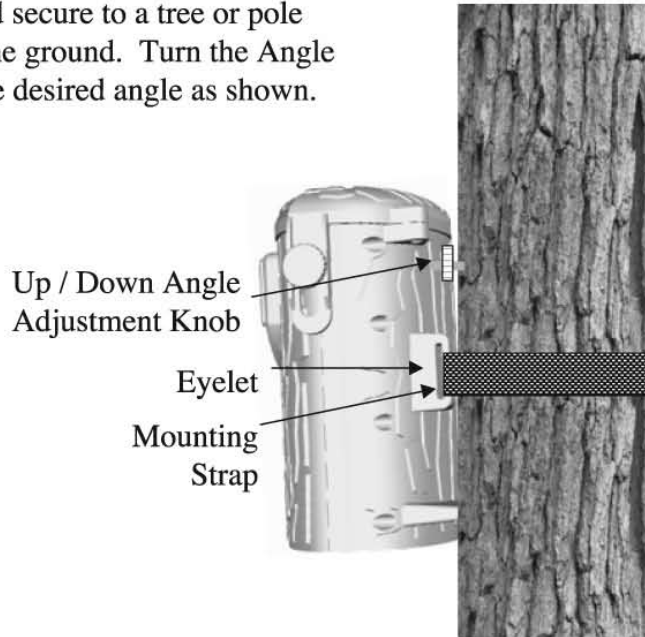
If this equipment does cause harmful interference to radio or television reception, which can be determined by turning the equipment off and on, the user is encouraged to try to correct the interference by one or more of the following measures:

- Reorient or relocate the receiving antenna
- Increase the separation between the equipment and receiver
- Connect the equipment into an outlet on a circuit different from that to which the receiver is connected
- Consult the dealer or an experienced radio/TV technician for help

VII ADVANCED SETUP

1 MOUNTING CAMERA

Thread provided Mounting Strap through the Eyelets on the back of the camera and secure to a tree or pole approximately 36" from the ground. Turn the Angle Adjustment knob to set the desired angle as shown.





VII ADVANCED SETUP (cont.)

2 VIEWING PICTURES - USB









1. Plug provided USB cable into the USB port on your Windows Vista/XP computer.
2. Plug other end of USB cable into the camera's USB port.
3. To access JPG pictures and AVI movie files, navigate to "My Computer" and double click the "Moultrie CAM" folder.
4. To exit USB mode, follow Window's instructions for properly disconnecting a removable drive and then unplug the USB cable from the computer and the camera.

3 INFORMATION ON PICTURE

Temperature Moon Phase Time Camera ID

 81F  2/3/2010 02:31 PM TRAIL 15

Moon phase details:

							
1	2	3	4	5	6	7	8
New Moon	Waxing Crescent	First Quarter	Waxing Gibbous	Full Moon	Waning Gibbous	Last Quarter	Waning Crescent

VIII GAMESPY CAMERA SPECIFICATIONS

Resolution	4.0 MP
Built-in storage Memory	128 MB
Resolutions	
LOW	VGA 640 x 480
MEDIUM	1.3MP 1280 x 960
HIGH	3.2MP 2046 x 1536
ENHANCED	4.0MP 2336 x 1752
Video	
HIGH	640 x 480
LOW	320 x 240
Approximate photos stored internal memory	
LOW	932
MEDIUM	266
HIGH	118
ENHANCED	98
Approximate video time stored internal memory	
HIGH	3.5min
LOW	7min
Approximate photos stored 1GB SD card	
LOW	5557
MEDIUM	1784
HIGH	950
ENHANCED	858
Approximate video time stored 1GB SD card	
HIGH	30min
LOW	60min
Optional SD Memory Card	16 GB Max
Optical Field of View	52 degrees
Batteries	4 Alkaline D-cell
Approximate Detection Range	30 +/- 5 feet



Our Service Department will gladly answer any questions you have. Call 205-664-6700 or 800-653-3334, Monday - Friday, 8:00 AM to 5:00 PM CST.

www.moultriefeeders.com