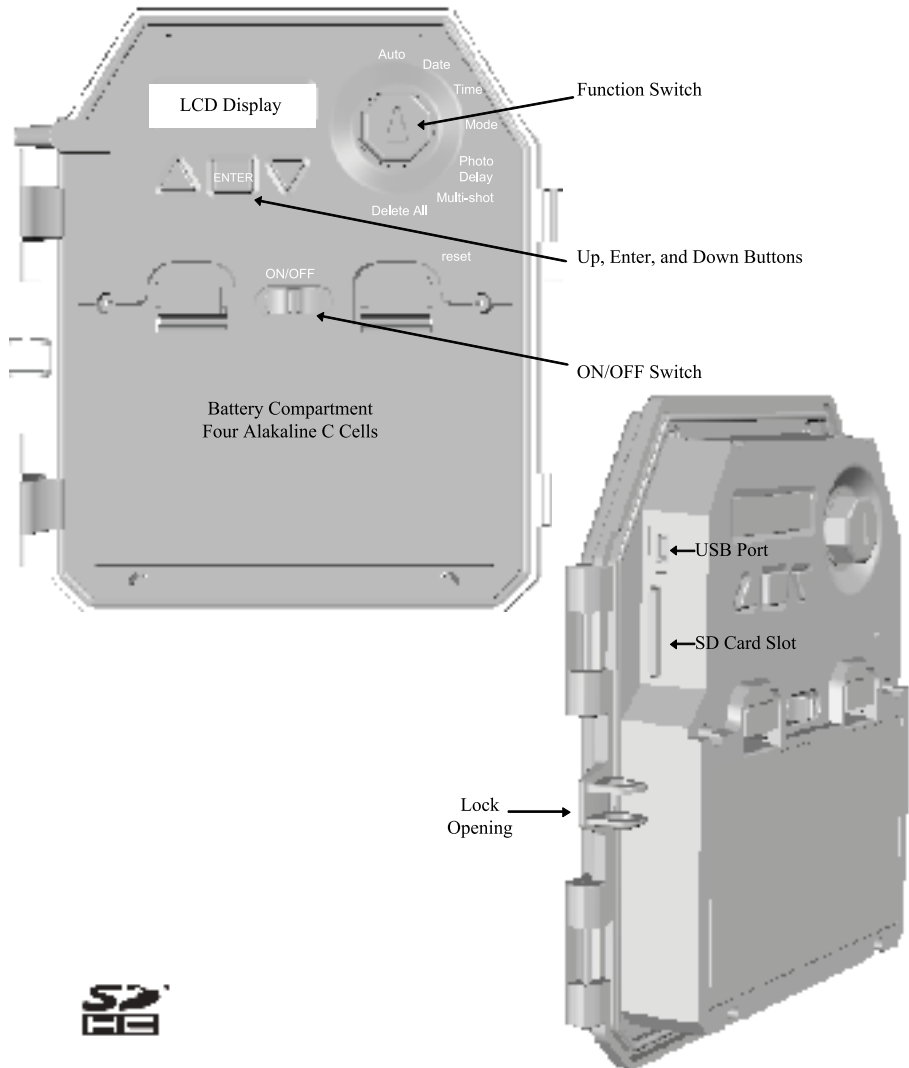




Instructions for L30 GameSpy Digital Camera

THANK YOU for your purchase of the Game Spy L30 Camera. Please read this booklet before using the unit. If you should have any questions about this product or any other Moultrie product, please contact us using the information on the back page. Please register your product at www.moultriefeeders.com TO ACTIVATE YOUR WARRANTY.

I GAMESPY OVERVIEW



I GAMESPY OVERVIEW (continued)

ON / OFF SWITCH

Used for turning On and turning Off the camera.

FUNCTION SWITCH

The Function Switch selects one of the seven functions of the camera: Auto, Date, Time, Photo Quality, Photo Delay, Multi-shot, and Delete All. When a function is selected, the ENTER button will activate a setting adjustment and the UP and DOWN buttons will step through the options. Refer to the FUNCTION SWITCH DETAILS section of this manual for more information. The software version of the camera is displayed when the Function Switch is rotated all the way in the clockwise direction.

SD MEMORY CARD SLOT

The SD Memory Card Slot accepts up to a 4GB SD Card for photo storage. If there is no SD Card in the slot then the LCD screen will display "NO CARD".

USB PORT

Download still pictures and video onto your computer by connecting a USB cable (sold separately). Refer to the Advanced Information section of this manual for details.

BATTERY COMPARTMENT

The Camera is powered by four (4) C size alkaline batteries.

BATTERY LEVEL INDICATOR

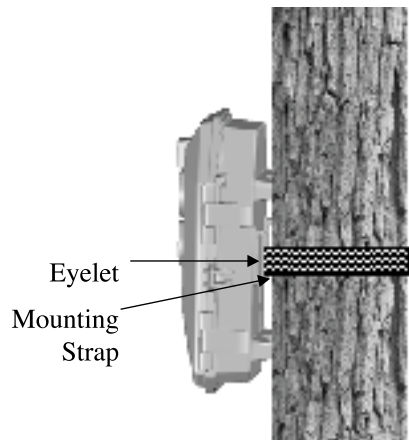
When the batteries get to a low level, the LCD screen will display the Low Battery Indicator Icon. When the batteries get to a critical level, the camera will not function, but the Low Battery Indicator Icon will still be visible on the LCD Screen. The batteries will last approximately 90 days (based on 5 daytime and 5 nighttime pictures per day).

RESET

The reset button will cause the camera to reset to default values.

II QUICK START INSTRUCTIONS

- 1 Open the back panel of the Camera and remove the battery compartment cover. Install four (4) C size alkaline batteries with polarities as indicated in the Battery Compartment. Re-install the Battery Compartment Cover.
- 2 Thread the provided Mounting Strap through the Eyelets on the back of the camera and secure to a tree or pole approximately 36" from the ground as shown.



- 3 Turn Camera on by sliding ON/OFF switch to the ON position.
- 4 Rotate the FUNCTION SWITCH to DATE and set the date by pressing the ENTER button and UP/DOWN buttons to adjust selected field. Rotate the FUNCTION SWITCH to TIME and set the date by pressing the ENTER button and UP/DOWN buttons to adjust selected field.
- 5 Rotate the FUNCTION SWITCH to AUTO. Your Camera will now automatically take pictures whenever an animal is detected in range -based on the default settings below

III DEFAULT SETTINGS

Function	Setting
Mode	Photo
Photo Quality	High
Photo Delay After Each Photo is Taken	1 minute
Multi-Shot	1

IV FUNCTION SWITCH DETAILS

- **AUTO MODE**
 The camera's LCD screen will display the number of photos taken follow by the pictures remaining when the FUNCTION SWITCH is set to AUTO. This is the camera's normal state for taking pictures. During this mode, the camera will sleep and use a minimal amount of battery life. When the PIR motion sensor detects an animal, it will wake up the camera and immediately take a picture.

When in AUTO MODE, press the ENTER button and the camera will immediately take a picture.

- **DATE**
 The camera's current date setting will be displayed by the LCD when the FUNCTION SWITCH is set to DATE. Press the ENTER button and the Month digits of the date will flash. Use the UP and DOWN buttons to adjust the Month. Press the ENTER button to advance to the Day digits and repeat the process. Press the ENTER button to set Year. Press the ENTER button to confirm the new settings.

- **TIME**
 The camera's current time setting will be displayed by the LCD when the FUNCTION SWITCH is set to TIME. Press the ENTER button and the Hour digits of the Time will flash. Use the UP and DOWN buttons to adjust the hour. Press the ENTER button to advance to the Minute digits and repeat the process. Press the ENTER button to set AM or PM. Press the ENTER button again to confirm the new settings.

Pressing and holding the Up or Down Buttons will cause the digits to increase or decrease at double speed.

FC Moulin Products, LLC
MFH-DGS-L30

FCC Statements

NOTE: Changes or modifications not expressly approved by the party responsible for compliance could void the user's warranty for operation of this device.

This device complies with the FCC Rules. Operation is subject to the following two conditions: (1) This device may not cause harmful interference, and (2) this device must accept any interference that may be received, including interference from any authorized FCC operation.

CAUTION: The RF output of this device is not to be used for any purpose other than that intended and caused by unauthorized modifications to this equipment. Such modifications could void the user's authority to operate the equipment.

NOTE: This equipment has been tested and found to comply with the limits for Class B digital devices, pursuant to Part 15 of the FCC Rules. These limits are designed to provide reasonable protection against harmful interference to a residential environment. This equipment generates noise and may not cause the frequency energy and, if not installed and used in accordance with the instructions, may cause harmful interference to radio communications. However, there is no guarantee that interference will not occur in a particular installation.

If this equipment does cause harmful interference to radio or television reception, you can try to correct the interference by turning the equipment off and on, or you may need to take the following steps:

- Reorient or relocate the receiving antenna.
- Increase the separation between the equipment and receiver.
- Connect the equipment to a different power outlet, if available.
- Consult the dealer or a qualified technician for help.

IV FUNCTION SWITCH DETAILS (cont.)

→ MODE (Photo or Video)

When dial is turned to MODE the word "PHOTO" will be displayed. Pressing ENTER will cause "PHOTO" to blink. Press UP or DOWN arrows to change the mode from "PHOTO" to "VIDEO" and vice versa. Press ENTER again to confirm mode.

After 1 second the word "HIGH" will be blinking on the screen indicating the currently selected resolution for the Photo or Video. Press UP or DOWN arrows to change the mode from "HIGH" to "LOW" and vice versa. Press ENTER again to confirm resolution.

- The camera mode will default to Photo if power is removed
- The duration for videos is 10 seconds (not modifiable)
- Videos cannot be taken at night, sample photos can be taken at night.
- Low Resolution: 1280 x 960 (1.3MP) for photo and 320 x 240 for video
- High Resolution: 2048 x 1536 (3.2MP) for photo and 640 x 480 for video

→ PHOTO DELAY

The camera's current PHOTO DELAY setting will be displayed by the LCD when the FUNCTION SWITCH is set to PHOTO DELAY. The camera will wait a specified number of minutes between each picture. Use the UP and DOWN buttons to select the desired setting. Press the ENTER button to confirm the new setting.

The Photo Delay settings are 15 seconds, 30 seconds, 1 minute, 5 minutes, 10 minutes, 30 minutes and 60 minutes.

→ MULTI-SHOT

The camera's current MULTI-SHOT setting will be displayed by the LCD when the FUNCTION SWITCH is set to MULTI-SHOT. The camera will automatically take the specified number of photos, with a 5 second delay between photos. Use the UP and DOWN buttons to select the desired setting. Press the ENTER button to confirm the setting.

The Multi-Shot settings are:

- 1-Shot
- 2-Shots

→ DELETE ALL

The camera's current DELETE ALL setting will be displayed by the LCD when the FUNCTION SWITCH is set to DELETE ALL. This function will clear all contents on the SD Card. Use the UP and DOWN buttons to select the desired setting. Press the ENTER button to confirm the Delete All function.

V ADVANCED INFORMATION

1 VIEWING PICTURES - USB

1. Plug USB cable into the USB port on your Windows XP/Vista/Windows 7 or Macintosh computer.
2. Plug other end of USB cable into the camera's USB port.
3. To access JPG pictures and AVI movie files, navigate to "My Computer" and double click the "DCIM\100_MDGC" folder.
4. To exit USB mode, follow computer's instructions for properly disconnecting a removable drive and then unplug the USB cable from the computer and the camera.

2 INFORMATION ON PICTURE



VI GAMESPY CAMERA SPECIFICATIONS

Photo Quality	
Low	1280 x 960 (1.3MP)
High	2048 x 1536 (3.2MP)
Video Quality	
Low	320 x 240
High	640 x 480
SD Card Memory	4 GB Max (not included)
Xeon Flash Range	30 feet +/- 5 feet
Optical Field of View	45-50 Degrees at 45 feet
Batteries	Four size C-cell (not included)
Approximate Battery Life	90 days



Our Service Department will gladly answer any questions you have. Call 205-664-6700 or 800-653-3334, Monday - Friday, 8:00 AM to 5:00 PM CST.
www.moultriefeeders.com

11152010R3/ MFH-DGS-L30