



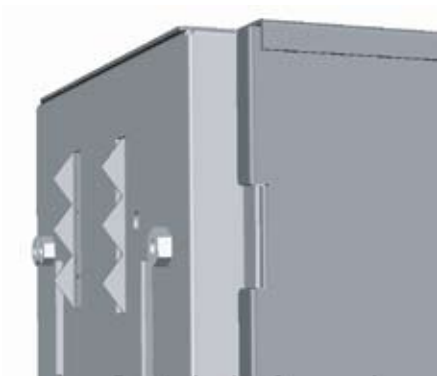
Instructions for Camera Security Box

THANK YOU for your purchase of the Moultrie Game Camera Security Box. Please read this sheet before assembling the unit. If you should have any questions about this product or any other Moultrie product, please contact us using the information on the back of this sheet. To help us to better serve you, please complete and mail the enclosed Registration Card.

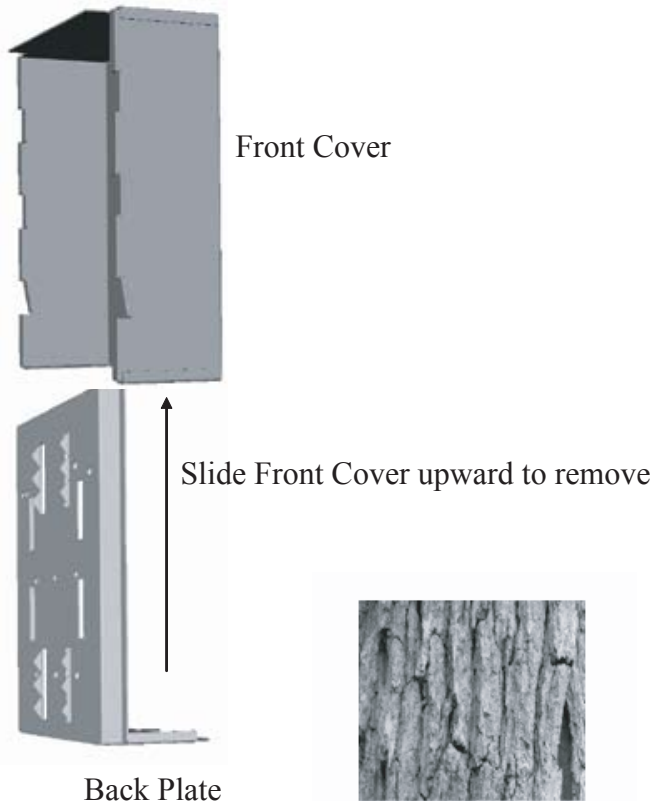
The Camera Security Box provides options for mounting your game camera and for securing the complete assembly. Choose the option that best matches your camera and intended use.

1a MOUNTING SECURITY BOX TO TREE OR POST

- 1 Remove the cover from the Camera Security Box by sliding the Front Cover upward as shown.



Tabs on Front Cover go around metal rails on Back Plate



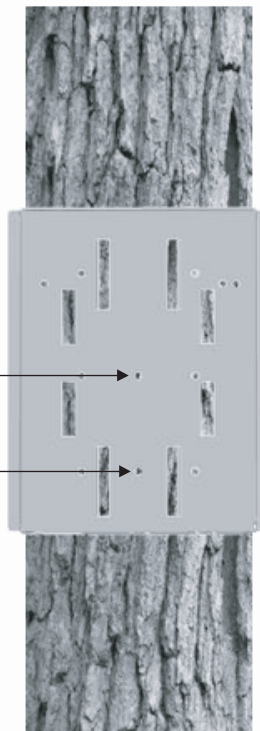
Front Cover

Slide Front Cover upward to remove

Back Plate

- 2 Insert the provided Lag Bolts through holes in the Back Plate and screw into tree or pole as shown.

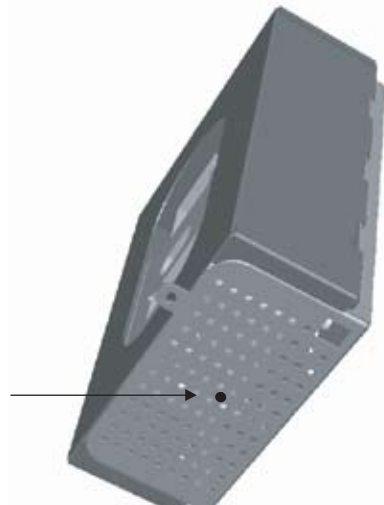
Provided Lag Bolts can be used to secure Camera Security Box to a tree or pole



1b MOUNTING SECURITY BOX ON ACCESSORY

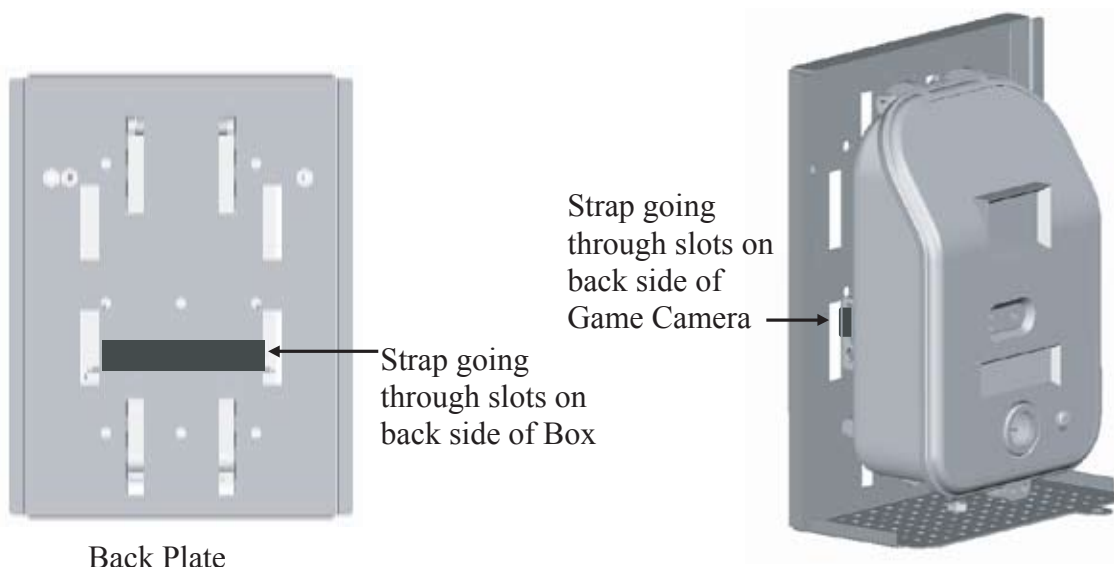
The Camera Security Box is also equipped with a receptacle on the bottom that may be used with other Moultrie camera mounting accessories.

Standard Tripod Receiver



IIa MOUNTING CAMERA TO BOX WITH STRAPS

To strap the camera into the Camera Security Box, route the provided Strap through the slots in the Back Plate and around the Game Camera or through the mounting slots on the back of the camera as shown. Slide the Front Cover down onto Back Plate by aligning tabs on Front Cover with metal rails on Back Plate (refer to illustration on opposite page for details).



IIb MOUNTING CAMERA TO BOX WITH BOLTS

Some game cameras are equipped with eyelets on each side that may be used for mounting. Place the Game Camera on the Back Plate, open Camera Door, and insert the provided Long Screws through the eyelets and into the appropriate threaded hole as shown. Slide the Front Cover down onto Back Plate by aligning tabs on the Front Cover with metal rails on Back Plate (refer to illustration on opposite page for details).

After Camera Door is open, insert provided Long Screws through eyelets on Game Camera and into threaded hole in Back Plate.

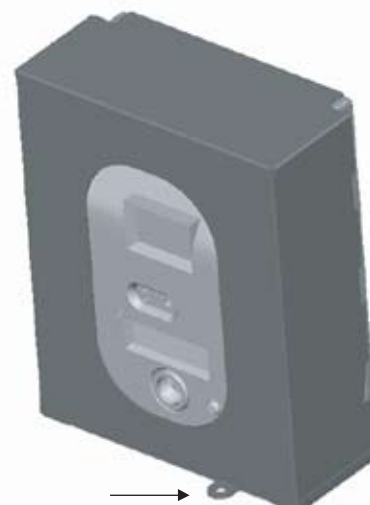


III SECURING BOX TO TREE OR POLE

The Camera Security Box includes a 48" Security Cable and Pad Lock. Wrap the cable around a secure device such as a tree and insert the shaft of the Lock through cable ends and into Lock Hole on the front of the Camera Security Box.



Lock shaft goes through Lock Hole and ends of cable to secure Box to tree and prohibit Box from opening



Our Service Department will gladly answer any questions you have. Call 205-664-6700 or 800-653-3334, Monday - Friday, 8:00 AM to 5:00 PM CST. www.moultriefeeders.com