

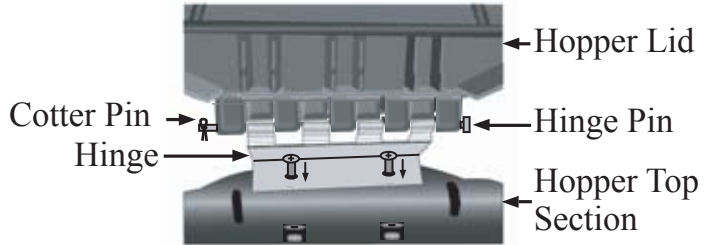


## Instructions for Econo Plus Feeder

**THANK YOU** for your purchase of the Econo Plus Feeder, a top quality Moultrie product. Please read this sheet before assembling the unit. If you should have any questions about this or any other Moultrie product, please contact us using the information on the reverse side of this sheet. To help us to better serve you, please complete and mail the enclosed Warranty Card.

### I ASSEMBLING HOPPER

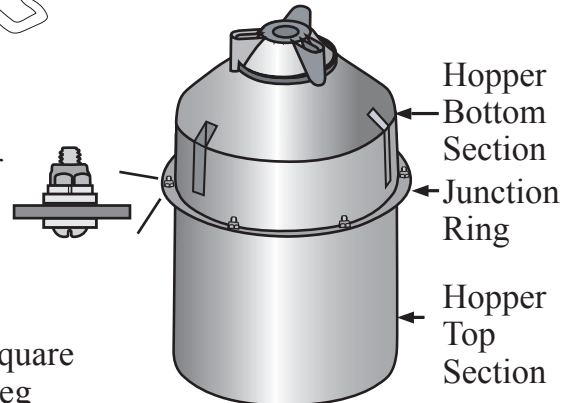
- 1 Attach provided **Hinge** to **Hopper Top Section** using two 1" long bolts. Inside the **Hopper**, place a washer and lock-nut on each screw. Place **Hopper Lid** on **Hopper Top** and thread **Hinge Pin** through hole. Slide **Cotter Pin** through hole in **Hinge Pin** and spread legs as shown.



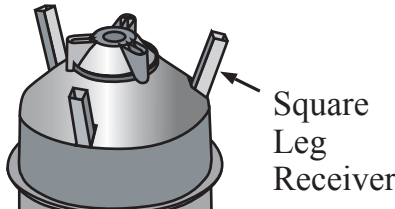
- 2 Attach the **Strike** to the **Hopper Lid** and **Catch** to the **Hopper Top** using four provided 1/2" long screws as shown. Inside the **Hopper**, place a washer and lock-nut on each screw.



- 3 Place **Hopper Bottom Section** on **Hopper Top Section** as shown. For each of the nine holes, insert provided 1" long bolt through a washer, the **Hopper Junction Ring**, another washer, lock-washer, and into the nut as shown. Use a wrench to tighten each of the nuts.

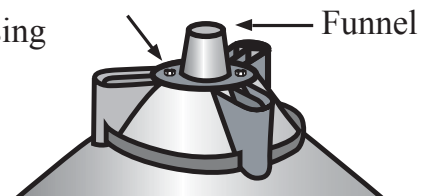


- 4 Slide the three provided **Square Leg Receivers** into the **Hopper** as shown.

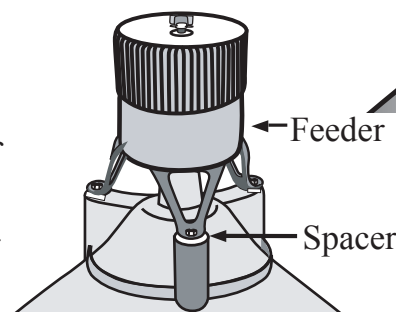


### II MOUNTING FUNNEL AND FEEDER

- 1 Place **Funnel** over the bottom opening and secure to the **Hopper** using the two provided 3/4" long screws as shown.



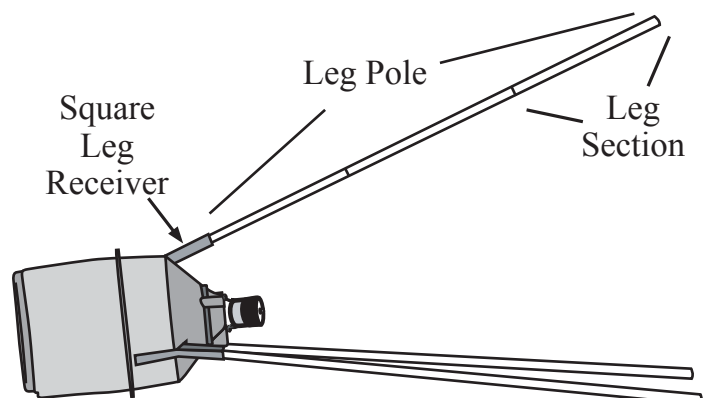
- 2 Place a provided Round Spacer on top of each of the three mounting holes in the **Hopper**. Carefully place **Feeder** on top of **Spacers** and secure to **Hopper** using the three provided 1.5" long screws as shown.



### III STANDING UP FEEDER

Lay Hopper on side. Using three **Leg Sections**, install a **Leg Pole** on the inside of each of the **Square Leg Receivers**. With two **Leg Poles** against the ground as shown, carefully stand up the **Feeder** assembly.

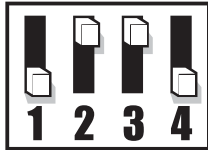
**NOTE:** Distance between legs at ground should not exceed 75 inches. To prevent tipping, the **Feeder** must be placed on level ground.



**DO NOT EXCEED 200 POUNDS OF FEED**

# IV PROGRAMMING THE FEEDER

**1** Locate the Switch Panel inside Feeder.



= **4** Seconds **DISPENSES APPROX.** → **.75** Pounds of Feed

= **6** Seconds **DISPENSES APPROX.** → **1** Pound of Feed

= **8** Seconds **DISPENSES APPROX.** → **1.5** Pounds of Feed

= **10** Seconds **DISPENSES APPROX.** → **2** Pounds of Feed

= **12** Seconds **DISPENSES APPROX.** → **2.5** Pounds of Feed

= **14** Seconds **DISPENSES APPROX.** → **3** Pounds of Feed

= **16** Seconds **DISPENSES APPROX.** → **3.5** Pounds of Feed

= Feed approximately 30 minutes before dark.

= Feed just before dark

**2** You can regulate the amount of feed dispensed by setting the switches to the desired **Run Time** as shown in chart on right. Amount of feed is approximate and will vary.

**3** Your Econo II feeds two times per day, once shortly after daybreak and again in the evening. The evening feed time is modifiable as shown in chart on right.

# V INSTALLING BATTERY & OPERATING FEEDER

**CAUTION: WEAR EYE PROTECTION**

Remove bottom and install a 6-Volt Alkaline (ex. Energizer™) or Moultrie rechargeable battery by attaching the Red Alligator Clip to the positive terminal (+) and the Black Alligator Clip to the negative (-) terminal. Place bottom on unit and secure using wing nut.



## TESTING FEEDER

To test Feeder, press and release the small push-button switch located on the circuit board. **GET AWAY FROM FEEDER AFTER PRESSING SWITCH.** The Feeder will run one test cycle three seconds after the small push-button switch is pressed.

# TIPS & POINTERS

**1: (Q) When should I fill the drum on my feeder? (A) To prevent damage to the feeder kit, do not load drum until unit is off the ground.**

**2: (Q) I have a hanging feeder. What should I hang it with and how high should I hang it? (A) Some animals will chew through products like rope, so chain or steel cable is best. The bottom of the feeder should be about 7 feet from the ground.**

**3: (Q) What kind of feed should I use? (A) Whole kernel corn or corn mixed with soybeans or mixed with "pellet" feeds is effective for attracting deer. NOTE: When not mixed with corn, some pellet type feeds can take-on moisture and clog the feeder.**

**4: (Q) How long should I set the feeder to run? (A) The factory setting is 6 seconds but many customers find that 4 or 5 seconds is long enough to establish a feeding pattern.**

**5: (Q) Some of the feed in the bottom of my drum never seems to move, and may be getting moldy. Any solution? (A) For 30 and 55 gallon barrels, Moultrie has developed internal funnels to solve this problem. The part numbers are MFH-FUN30 for a 30-gallon drum and MFH-FUN55 for a 55-gallon drum.**

**6: (Q) What should I do if my feeder isn't working? (A) Check the battery first by changing to a known good battery. If problem still exists, call Moultrie Customer Service at the number below.**

**7: (Q) What battery should I use? (A) For best performance, use a rechargeable 6-Volt, 5 Amp Moultrie brand battery. If disposable batteries will be used in your unit, Energizer™ alkaline batteries are recommended.**

**8: (Q) Can I get replacement parts for my feeder? (A) Yes, Moultrie can send you the following replacement parts:**

- Economy Hardware Package.....MFHP81576
- Economy Motor.....MFHP81693
- Metal Funnel & Spin Plate Kit ..... MFH-ASPF
- 6V Rechargeable Battery ..... MFH-RB6
- 6V Battery Charger ..... MFH-BC6

There are no other user-replaceable parts. If you have further questions, please call Moultrie Customer Service at the number below.

Our Service Department will gladly answer any questions you have. Call 205-664-6700 or 800-653-3334, Monday - Friday, 8:00 AM to 5:00 PM CST. See Moultrie's entire line of feeders, game cameras and accessories online at [www.moultriefeeders.com](http://www.moultriefeeders.com). 150 Industrial Road, Alabaster, AL 35007