



Instructions for Econo Plus Feeder Kit

THANK YOU for your purchase of the Econo Plus Feeder Kit. Please read this sheet before operating the unit. If you should have any questions about this product or any other Moultrie product, please contact us using the information below. To help us to better serve you, please complete and mail the enclosed Warranty Card.

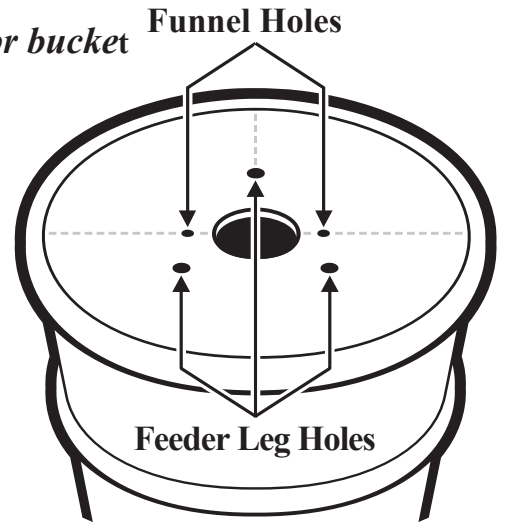
I DRILLING YOUR DRUM/BARREL/BUCKET

NOTE: If you purchased a Moultrie Drum, go to II

Econo Plus Feeder will mount to the bottom of any drum or bucket

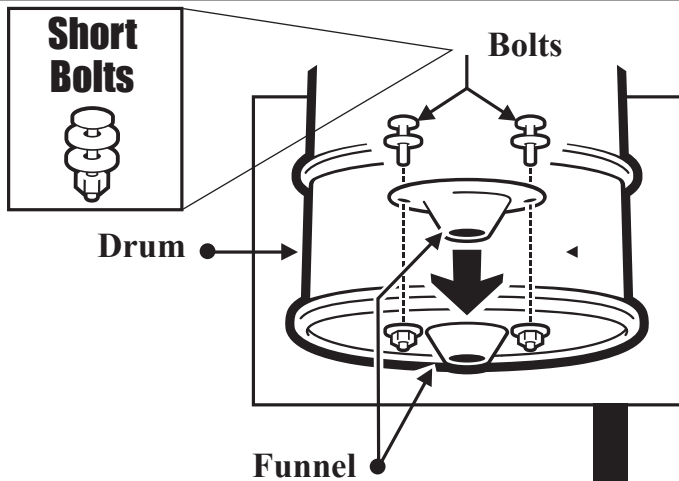
CAUTION: WEAR EYE PROTECTION

- 1 Turn drum over, measure and mark the center of the bottom.
- 2 Center the template on the bottom of the drum and secure with tape. Drill two 3/16" Funnel holes and three 5/16" Feeder Leg holes.
- 3 Using a Hole Saw, drill a 2-1/4" hole in the center of the bottom of your drum.



II MOUNTING THE FEEDER

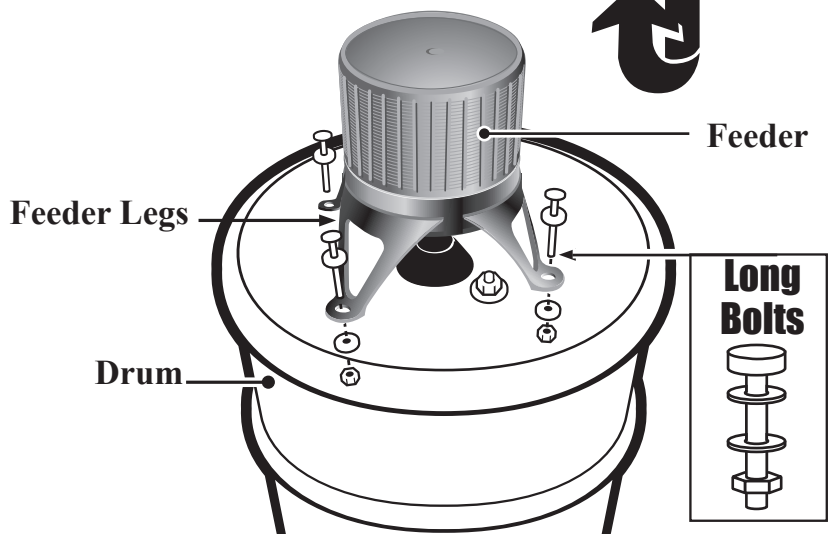
- 1 Place **Funnel inside Drum** with small end of funnel facing down, and attach with two **Short Bolts** using nuts and washers provided.



- 2 Turn **Drum** upside down.

Turn upside down

- 3 Place **Feeder** on **Drum**. Attach **Feeder Legs** to **Drum** as shown with **Long Bolts** using nuts and washers provided.

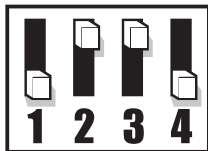


NOTE: This equipment has been tested and found to comply with the limits for a Class B digital device pursuant to Part 15 of the FCC rules. These limits are designed to provide reasonable protection against harmful interference in a residential installation. This equipment generates, uses and can radiate radio frequency energy and, if not installed and used in accordance with the instructions, may cause harmful interference to radio communications. However, there is no guarantee that interference will not occur in a particular installation. If this equipment does cause harmful interference to radio or television reception, which can be determined by turning the equipment off and on, the user is encouraged to correct the interference by one or more of the following measures:

- Reorient or relocate the receiving antenna
- Increase the separation between the equipment and the receiver

III PROGRAMMING THE FEEDER

1 Locate the Switch Panel inside Feeder.



= **4** Seconds **DISPENSES APPROX.** **.75** Pounds of Feed

= **6** Seconds **DISPENSES APPROX.** **1** Pound of Feed

= **8** Seconds **DISPENSES APPROX.** **1.5** Pounds of Feed

= **10** Seconds **DISPENSES APPROX.** **2** Pounds of Feed

= **12** Seconds **DISPENSES APPROX.** **2.5** Pounds of Feed

= **14** Seconds **DISPENSES APPROX.** **3** Pounds of Feed

= **16** Seconds **DISPENSES APPROX.** **3.5** Pounds of Feed

= Feed approximately 30 minutes before dark.

= Feed just before dark

2 You can regulate the amount of feed dispensed by setting the switches to the desired **Run Time** as shown in chart on right. Amount of feed is approximate and will vary.

3 Your Econo II feeds two times per day, once shortly after daybreak and again in the evening. The evening feed time is modifiable as shown in chart on right.

IV INSTALLING BATTERY & OPERATING FEEDER

CAUTION: WEAR EYE PROTECTION

Remove bottom and install a 6-Volt Alkaline (ex. Energizer™) or Moultrie rechargeable battery by attaching the Red Alligator Clip to the positive terminal (+) and the Black Alligator Clip to the negative (-) terminal. Place bottom on unit and secure using wing nut.



TESTING FEEDER

To test Feeder, press and release the small push-button switch located on the circuit board. **GET AWAY FROM FEEDER AFTER PRESSING SWITCH.** The Feeder will run one test cycle three seconds after the small push-button switch is pressed.

TIPS & POINTERS

1: (Q) When should I fill the drum on my feeder? (A) To prevent damage to the feeder kit, do not load drum until unit is off the ground.

2: (Q) I have a hanging feeder. What should I hang it with and how high should I hang it? (A) Some animals will chew through products like rope, so chain or steel cable is best. The bottom of the feeder should be about 7 feet from the ground.

3: (Q) What kind of feed should I use? (A) Whole kernel corn or corn mixed with soybeans or mixed with "pellet" feeds is effective for attracting deer. NOTE: When not mixed with corn, some pellet type feeds can take-on moisture and clog the feeder.

4: (Q) How long should I set the feeder to run? (A) The factory setting is 6 seconds but many customers find that 4 or 5 seconds is long enough to establish a feeding pattern.

5: (Q) Some of the feed in the bottom of my drum never seems to move, and may be getting moldy. Any solution? (A) For 30 and 55 gallon barrels, Moultrie has developed internal funnels to solve this problem. The part numbers are MFH-FUN30 for a 30-gallon drum and MFH-FUN55 for a 55-gallon drum.

6: (Q) What should I do if my feeder isn't working? (A) Check the battery first by changing to a known good battery. If problem still exists, call Moultrie Customer Service at the number below.

7: (Q) What battery should I use? (A) For best performance, use a rechargeable 6-Volt, 5 Amp Moultrie brand battery. If disposable batteries will be used in your unit, Energizer™ alkaline batteries are recommended.

8: (Q) Can I get replacement parts for my feeder? (A) Yes, Moultrie can send you the following replacement parts:

- Economy Hardware Package.....MFHP81565
- Economy Motor.....MFHP81693
- Metal Funnel & Spin Plate Kit MFH-ASPF
- 6V Rechargeable Battery MFH-RB6
- 6V Battery Charger MFH-BC6

There are no other user-replaceable parts. If you have further questions, please call Moultrie Customer Service at the number below.



Our Service Department will gladly answer any questions you have. Call 205-664-6700 or 800-653-3334, Monday - Friday, 8:00 AM to 5:00 PM CST. See Moultrie's entire line of feeders, game cameras and accessories online at www.moultriefeeders.com. 150 Industrial Road, Alabaster, AL 35007