



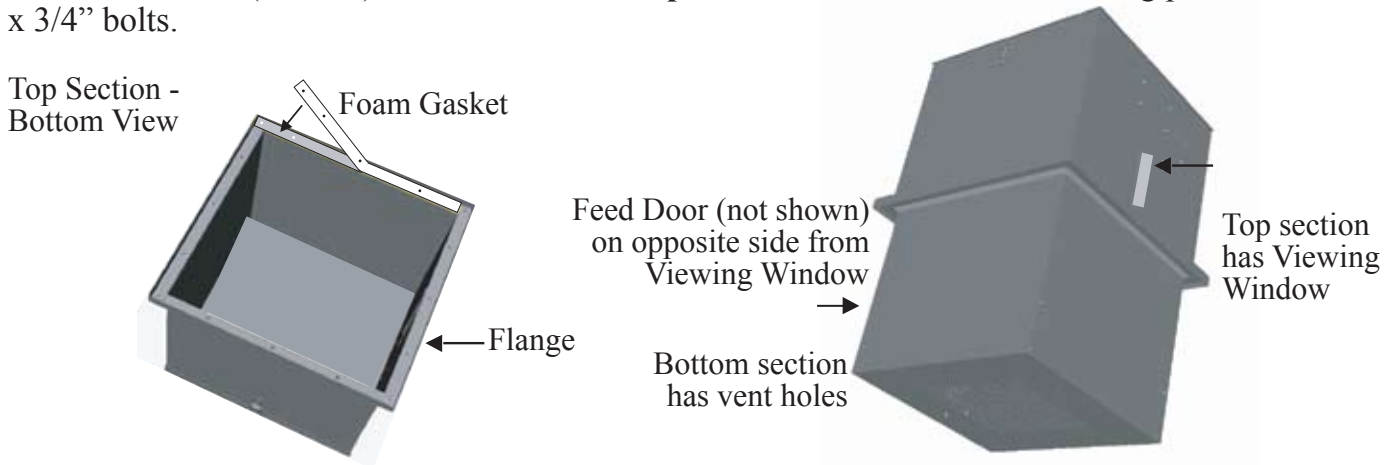
# Instructions for Pro Feeder

**THANK YOU** for your purchase of the Pro Feeder. Please read this sheet before assembling the unit. If you should have any questions about this product or any other Moultrie product, please contact us using the information on the back of this sheet. To help us to better serve you, please complete and mail the enclosed Registration Card.

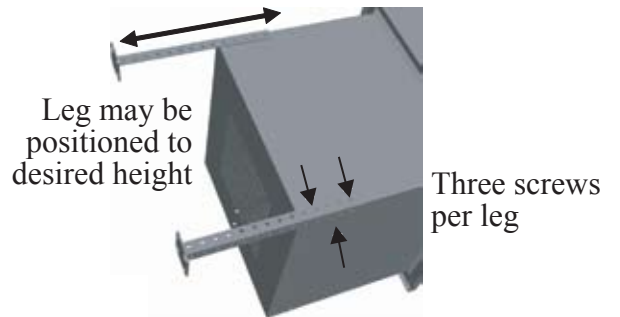
## I ASSEMBLING UNIT

The Pro Feeder may be used for distributing fish food or corn. The Pro Feeder is shipped with the Bottom Section inside the Top Section. Carefully remove the bolt packs, Control Box, Battery, Charger, and Legs from inside the unit and place them on the ground. Slide the Bottom Section out of the Top Section using the attached zip-tie handles. Cut-off zip-ties when complete.

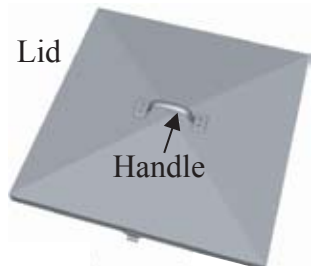
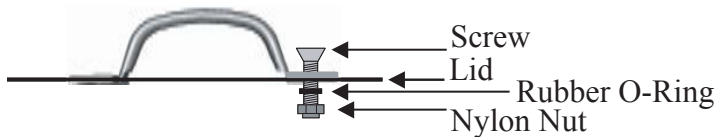
- 1 METAL ENCLOSURE:** Place **Top Section** on ground with the **Flange** up. Remove the backing from the provided Gaskets. Align the holes in the Gaskets with the holes in the flange in the **Top Section**. Orient **Top Section** onto **Bottom Section** with **Viewing Window** (Top) on opposite side from **Feed Door** (Bottom) as shown. Attach **Top Section** to **Bottom Section** using provided 1/4" x 3/4" bolts.



- 2 LEGS:** With Feeder lying on side, position **Leg** at desired height and align holes in **Leg** with holes in **Bottom** as shown. Attach **Leg** using three provided 1/4" x 3/4" bolts. Repeat for all four **Legs** - carefully rotating enclosure. Stand-up Feeder after all **Legs** are attached.



- 3 HANDLE:** Slide provided #8 x 1/2" screws through four holes in **Handle** and into Lid as shown. Place provided four **Rubber O-rings** onto bottom of screws followed by **Nylon Nuts**. Tighten nuts until **Handle** is secure.

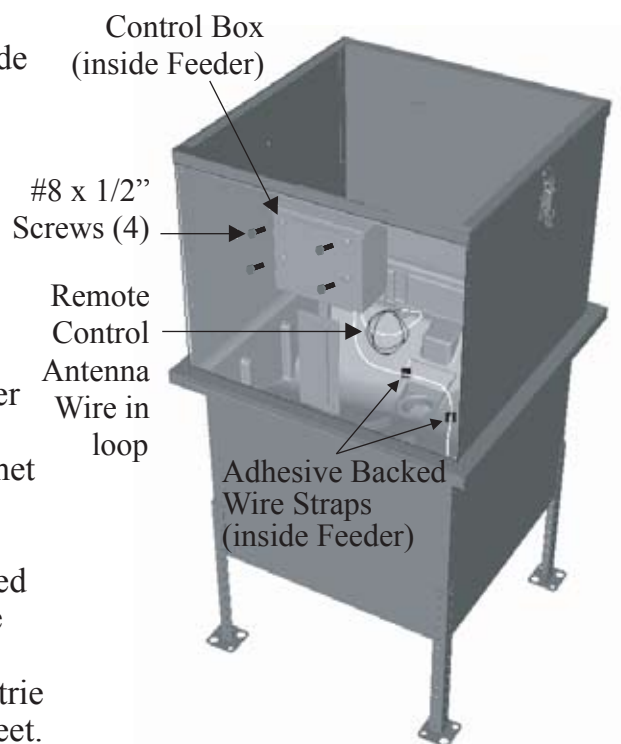


- 4 CONTROL BOX:** Place the **Control Box** inside the Feeder and align four threaded sleeves with holes in side wall of Feeder as shown. Secure **Control Box** to the **Feeder Wall** using four provided #8 x 1/2" Screws.

Peel the adhesive backing from the **Wire Straps** and secure the wire against the side wall of the Feeder as shown.

Route the thin black **Remote Control Antenna Wire** through the rubber grommet to the outside of the Feeder Wall. Roll the **Antenna Wire** into an approximate 6" diameter loop and wire-tie it close to the rubber grommet as shown.

The additional connector on the Control Box is provided for the Moultrie Solar Panel upgrade (MFH-DSP). The Solar Panel will greatly extend battery life and may be purchased at a Moultrie Distributor or by calling Moultrie using the telephone number on the back side of this sheet.



## II CHARGING AND INSTALLING BATTERY

**CHARGING:** Remove the battery from the Feeder. Connect the provided Battery Charger's Black Wire to the Negative Battery Terminal (-) and Red Wire to the Positive Battery Terminal (+). Plug the battery charger into a 120VAC electrical outlet. When the green light blinks on the charger, the battery is fully charged. A fully discharged battery may require up to 24 hours of charging. Do not leave the battery connected to the charger for more than 24 hours.

**INSTALLING:** Place the 6V 12aH battery inside the provided Battery Sling. Connect the Black Wire to the Negative Terminal (-) and the Red Wire to the Positive Terminal (+). Lower battery into Control Box and Close Lid. If a low battery can be swapped with a fresh battery within 10 seconds, the clock and timer settings will be retained. If the battery cannot be swapped within 10 seconds, leave the battery disconnected for at least 60 seconds so that the system can reset properly.

## III CONFIGURING AND TESTING FEEDER

Your Pro Feeder will feed up to six times per day and has been factory set to feed at 7:00am and 6:00pm for four seconds. To change the factory settings or add additional feed times, follow the instructions below. The Battery Level is displayed every seven seconds. It is recommended that the battery be replaced when the %BATTERY reading is 25% or below.

**SET TIME OF DAY:** Press the UP or DOWN button until the correct time of day appears. Press and release button to single-step through the minutes or hold down to advance quickly. The feeder will not run while buttons are being pressed and waits 10 seconds from the last button press before it is activated. The feeder is activated when the display alternates between the CURRENT TIME and %BATTERY.

**SET FEED TIMES:** Press the SET button until the correct Timer Number appears in the upper right hand corner as shown. Press the UP or DOWN button to set the Feed Time.

**SET RUN DURATION:** Press the SET button again to set the RUN-TIME SECONDS which can range from zero to twenty seconds. Adjust RUN-TIME SECONDS using the chart below. Set the RUN-TIME SECONDS to zero to disable the specific timer.

RUN TIME (sec.)	4	6	8	10	12	14	16	18	20
Approx. Corn dispensed (lbs.)	2.5	2.7	2.9	3.1	3.3	3.4	3.6	3.8	4.0
Approx. Fish Food dispensed	1.9	2.2	2.5	2.7	3.0	3.3	3.6	3.8	4.1

**TEST FEEDER:** PRESS AND HOLD the SET button while the RUN-TIME SECONDS are displayed. Release the button and get away from the feeder when the message "TESTING GET AWAY" appears on the display.

**ENABLE/DISABLE REMOTE:** Disabling the Wireless Remote Control feature will increase battery life. "RF ON" indicates that the Wireless Remote Control feature is on. To toggle between Remote Control On and Off, simultaneously press and hold the SET and DOWN buttons while monitoring the display.

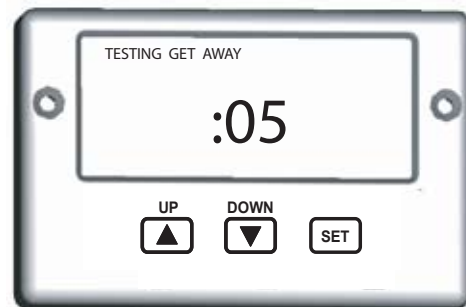
**ENABLE/DISABLE DOOR:** The feed door could freeze shut under extreme weather conditions. To lock the door in an open position, but allow the feeder to operate as normal, the door may be disabled. To toggle between Door Enable and Disable, simultaneously press and hold the SET and UP buttons.

## IV TROUBLESHOOTING

Your Pro Feeder includes self diagnostics which automatically detect and display operational errors. If the words "Check Door" appears on the display, there may be an obstacle interfering with the internal dispensing mechanism or prohibiting the Feed Door from fully opening. Carefully inspect the internal funnel and door for any obstacles that may be prohibiting it from operating properly.

NOTE: This equipment has been tested and found to comply with the limits of Part 15 of the FCC Rules. These limits are designed to provide reasonable protection against harmful interference in a residential installation. This equipment generates, uses and can radiate radio frequency energy and, if not installed and used in accordance with the instructions, may cause harmful interference to radio communications. However, there is no guarantee that interference will not occur in a particular installation. If this equipment does cause harmful interference to radio or television reception, which can be determined by turning the equipment off and on, the user is encouraged to try to correct the interference by one or more of the following measures:

- Reorient or relocate the receiving antenna.
- Increase the separation between the equipment and receiver.
- Connect the equipment into an outlet on a circuit different from that to which the receiver is connected.
- Consult the dealer or an experienced radio/TV technician for help.





Our Service Department will gladly answer any questions you have. Call 205-664-6700 or 800-653-3334, Monday - Friday, 8:00 AM to 5:00 PM CST. [www.moultreiefeeders.com](http://www.moultreiefeeders.com)