

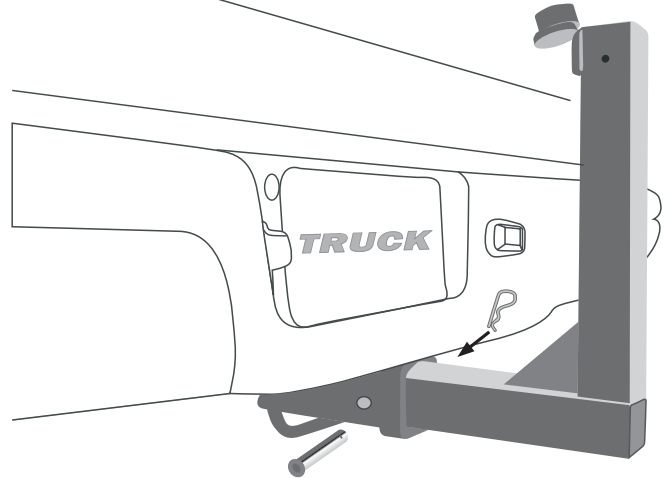


Instructions for Truck Spreader Electric Gate

THANK YOU for your purchase of the Truck Spreader with the Electric Gate, a top quality Moultrie product. Please read this sheet before assembling the unit. If you should have any questions about this or any other Moultrie product, please contact us using the information on the reverse side of this sheet. To help us to better serve you, please complete and mail the enclosed Warranty Card.

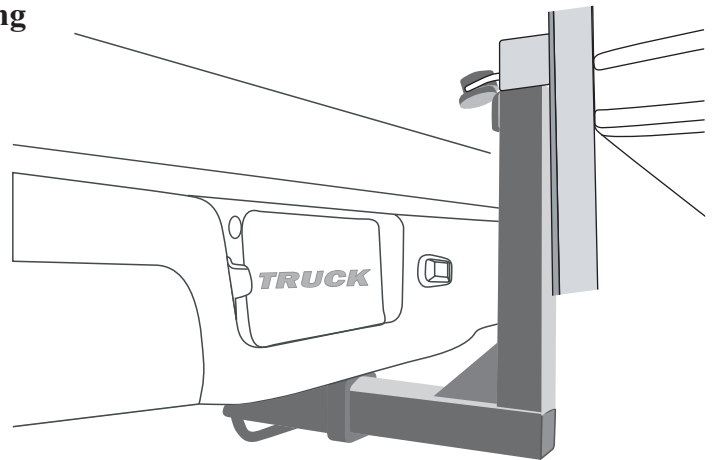
I SLIDING TRUCK BRACKET INTO HITCH

Slide the **Mounting Bracket** into the Truck's 2" trailer hitch receiver and insert pin and clip as shown.



II ATTACHING SPREADER

Slide the square hitch on the **Truck Spreader's** frame into the mating receiver on the **Mounting Bracket**.



III CONNECTING HAND CONTROL

- 1 Plug the white connector that is on the end of the long wire exiting the **Hand Control** into the mating connector on the **Feedgate**.
- 2 Connect the black connector that is on the end of the long wire exiting the **Hand Control** into the mating connector on the **Spin Motor**.
- 3 Plug the lighter plug into your Trucks accessory/lighter receptacle.

IV ADDING MATERIAL AND ADJUSTING STRAP

Add desired material such as feed, fertilizer, seed, etc. to hopper and attach lid.

V

CALIBRATING AND OPERATING UNIT

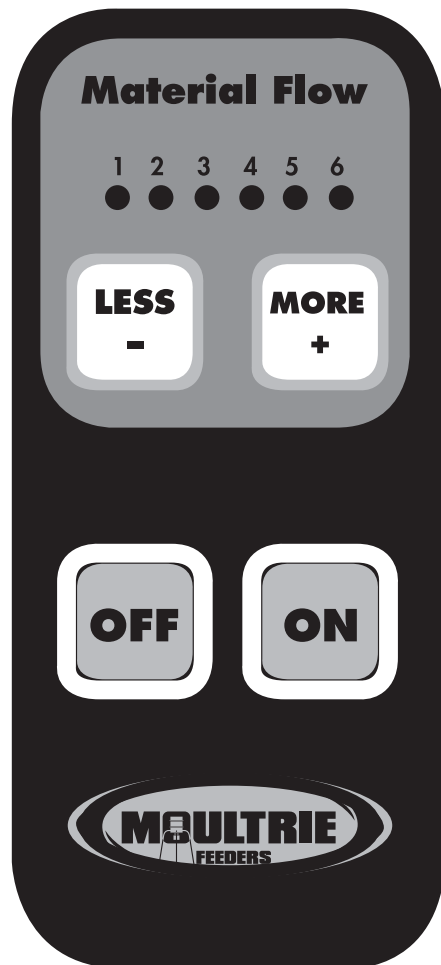


1 CALIBRATE: To assure proper operation, the Truck Spreader should be calibrated each time it is first connected to the Truck. Calibration should be performed with the Truck running.

To calibrate, hold the OFF button and press the ON button momentarily. While in calibration mode, the lights will flash rapidly. Once calibration is complete, the lights will go out and the gate will close. The unit is now ready for operation.

2 SET DISPENSING AMOUNT: The “1” position is the minimum amount and the “6” position is the maximum amount of material flow. Press the MORE or LESS button to achieve the desired opening amount. The Material Flow amount light flashes when the unit is not running and is on solid when the unit is running.

3 SPREAD MATERIAL: To spread material, press the ON button while moving at a constant rate. While ON, the MORE or LESS buttons may be pressed to achieve the desired material flow rate. Press the OFF button to stop the spin motor and close the gate.



VI

CLEANING AND STORING UNIT

NOTE: FERTILIZER IS EXTREMELY CORROSIVE. After spreading material, completely wash and dry Truck Spreader; however, water should not get on the material gate. A light coat of oil on all metal parts and the motor will help prevent rusting and corrosion.

To clean the gate, remove the two screws from the bottom and slide the cover forward until it drops off. Use a soft bristle brush to clean the felt and remove any dust from around the gear or on the felt

TIPS & POINTERS

1: (Q) Can I leave the Truck Spreader connected to my Truck when it is not in use? (A) Yes, however to reduce the possibility of damage to the spreader, it is highly recommended that the hopper is empty.

2: (Q) Can I get replacement parts for my Spreader? (A) Yes, you may purchase the following Moultrie replacement parts.

- Motor MFH-P81747
- Wire Harness MFH-P81744
- Spin Plate MFH-P81145

This equipment has been tested and found to comply with the limits for a Class B digital device pursuant to Part 15 of the FCC rules. These limits are designed to provide reasonable protection against harmful interference in a residential installation. This equipment generates, uses and can radiate radio frequency energy and, if not installed and used in accordance with the instructions, may cause harmful interference to radio communications. However, there is no guarantee that interference will not occur in a particular installation. If this equipment does cause harmful interference to radio or television reception, which can be determined by turning the equipment off and on, the user is encouraged to correct the interference by one or more of the following measures: • Increase the separation between the equipment and the receiver • Reorient or relocate the receiving antenna



Our Service Department will gladly answer any questions you have. Call 205-664-6700 or 800-653-3334, Monday - Friday, 8:00 AM to 5:00 PM CST. www.moultriefeeders.com