

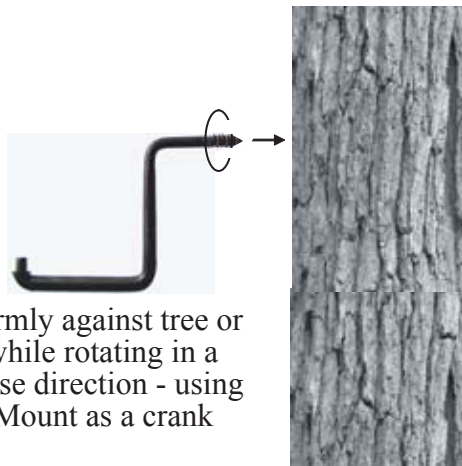


Instructions for Universal Tree Mount

THANK YOU for your purchase of the Moultrie Universal Tree Camera Mount. Please read this sheet before assembling the unit. If you should have any questions about this product or any other Moultrie product, please contact us using the information on the back of this sheet. To help us to better serve you, please complete and mail the enclosed Registration Card.

I ATTACH TREE MOUNT TO POLE OR TREE

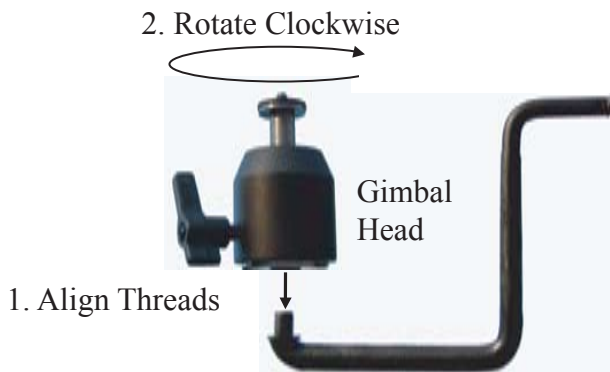
Secure the Universal Tree Mount by pressing threaded end firmly against a tree or post while rotating in a clockwise direction as shown. Universal Tree Mount may be used as a crank.



Press firmly against tree or post while rotating in a clockwise direction - using Tree Mount as a crank

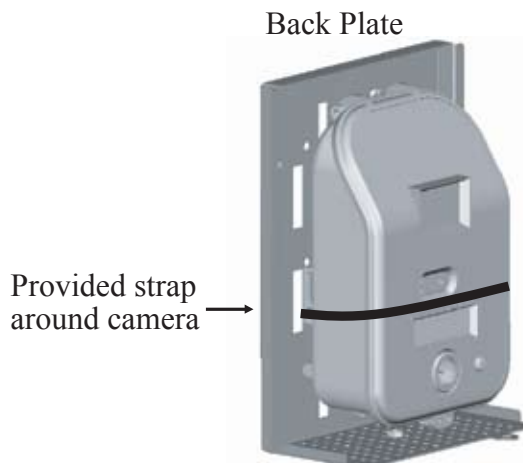
II ATTACH GIMBAL HEAD TO TREE MOUNT

Align threads on Tree Mount with hole in Gimbal Mount and rotate in a clockwise direction until secure as shown.



IIIa MOUNT CAMERA TO BACK PLATE WITH STRAP

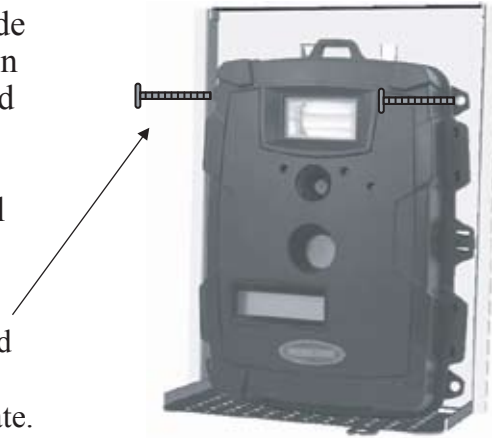
To strap the camera onto the Back Plate, route the provided Strap around the Game Camera and through the mounting slots on the Back Plate as shown. Be sure that Strap does not cover any camera components such as the LCD or flash.



IIIb MOUNT CAMERA TO BACK PLATE WITH BOLTS

Some game cameras are equipped with eyelets on each side that may be used for mounting. Place the Game Camera on the Back Plate, open Camera Door, and insert the provided Long Screws through the eyelets and into the appropriate threaded hole as shown. Slide the Front Cover down onto Back Plate by aligning tabs on the Front Cover with metal rails on Back Plate (refer to illustration on opposite page for details).

After Camera Door is open, insert provided Long Screws through eyelets on Game Camera and into threaded hole in Back Plate.



IVa ATTACH WITH BACK PLATE

Align threaded stud on Gimbal Head with threaded hole in bottom of Back Plate as shown. Rotate Back Plate on Gimbal Head shaft in a clockwise direction until secure.

Loosen Lever, hold Camera in desired position and then tighten Lever to secure.

Back Plate with Camera Mounted

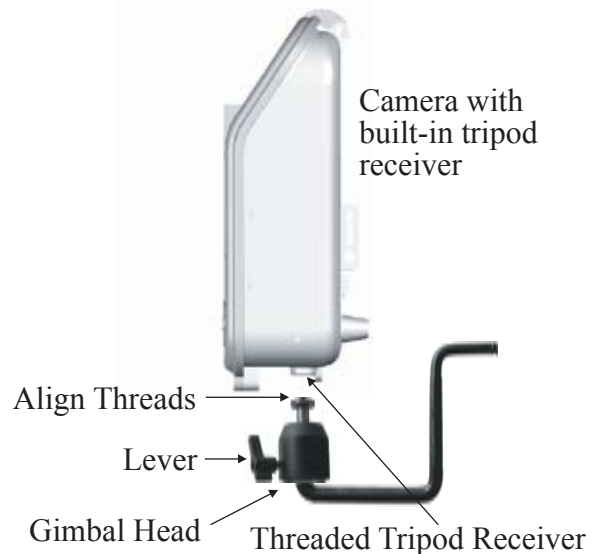


IVb ATTACH WITHOUT BACK PLATE

Cameras that are equipped with a built-in tripod receiver may optionally be mounted to the Gimbal Mount without the use of the Back Plate. Align threads on Gimbal Mount with tripod receiver in camera and rotate camera in a clockwise direction until secure.

Loosen Lever, hold Camera in desired position and then tighten Lever.

Camera with built-in tripod receiver



Our Service Department will gladly answer any questions you have. Call 205-664-6700 or 800-653-3334, Monday - Friday, 8:00 AM to 5:00 PM CST. www.moultriefeeders.com