



Instructions for Pro-Line Directional Feeder

THANK YOU for your purchase of the Pro-Line **Directional Feeder Kit**, a top quality Moultrie product. Please read both sides of this sheet before operating this unit. If you should have any questions about this or any other Moultrie product, please contact us using the information on the reverse side. To help us to better serve you, please complete and mail the enclosed Warranty Card.

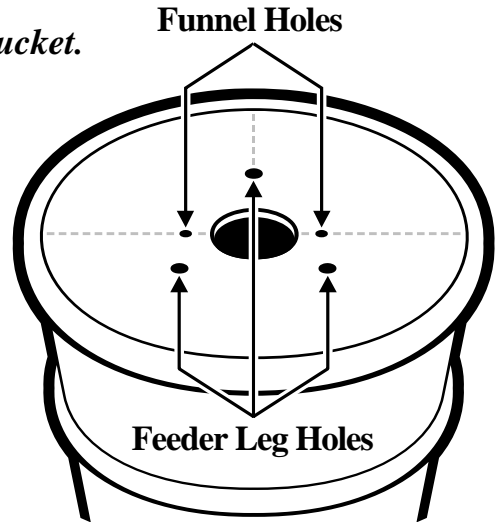
I DRILLING YOUR DRUM/BARREL/BUCKET

NOTE: If you purchased a Moultrie Drum, go to II

Directional Feeder will mount to the bottom of any drum or bucket.

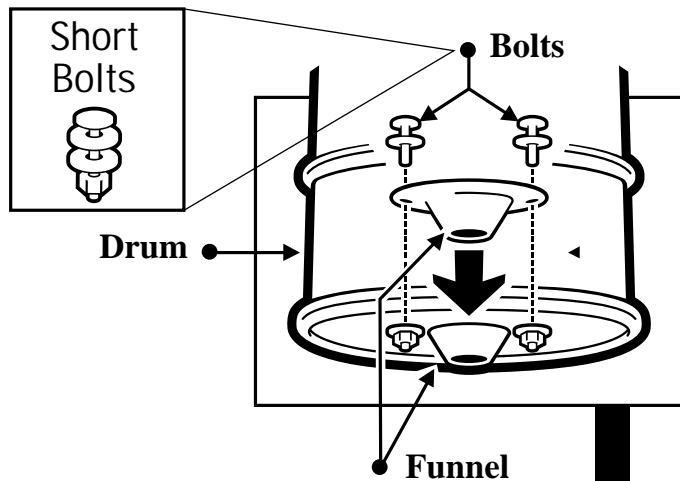


- 1** Turn drum over, measure and mark the center of the bottom.
- 2** Center the template on the bottom of the drum and secure with tape. Drill two 3/16" Funnel holes and three 5/16" Feeder Leg holes.
- 3** Using a Hole Saw, drill a 2-1/4" hole in the center of the bottom of your drum.

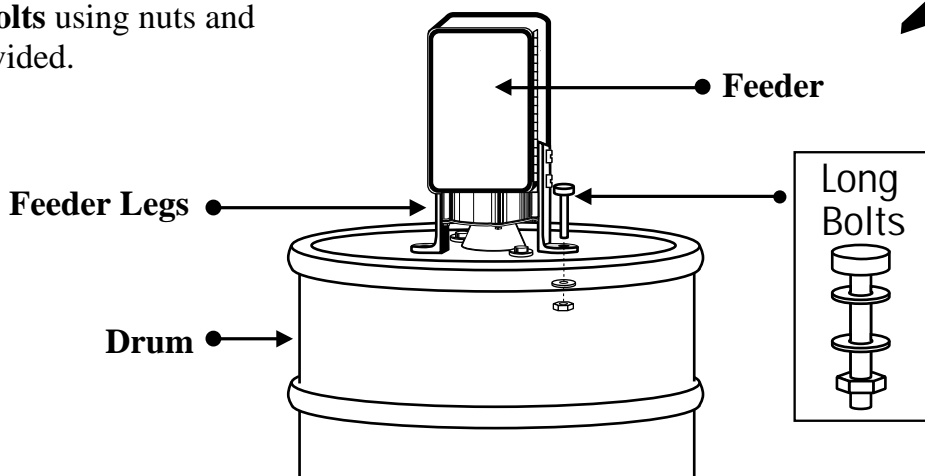


II MOUNTING THE FEEDER

- 1** Place **Funnel** *inside* **Drum** with small end of funnel facing down. Attach with two **Short Bolts** using nuts and washers provided.
- 2** Turn **Drum** upside down.
- 3** Place **Feeder** on **Drum**. Attach **Feeder Legs** to drum as shown with large **Bolts** using nuts and washers provided.



Turn upside down

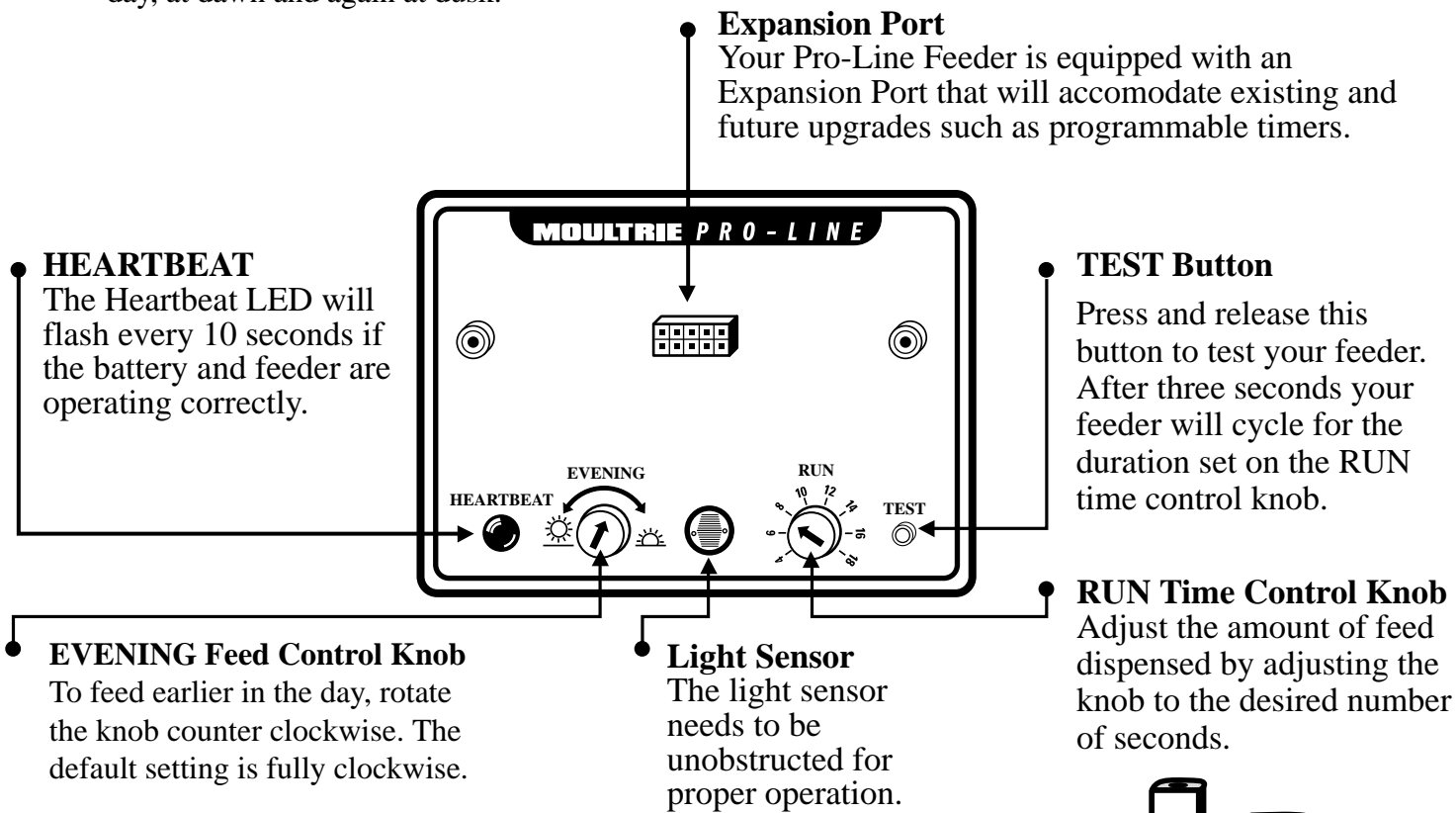


NOTE: This equipment has been tested and found to comply with the limits for a Class B digital device pursuant to Part 15 of the FCC rules. These limits are designed to provide reasonable protection against harmful interference in a residential installation. This equipment generates, uses and can radiate radio frequency energy and, if not installed and used in accordance with the instructions, may cause harmful interference to radio communications. However, there is no guarantee that interference will not occur in a particular installation. If this equipment does cause harmful interference to radio or television reception, which can be determined by turning the equipment off and on, the user is encouraged to correct the interference by one or more of the following measures:

- Reorient or relocate the receiving antenna
- Increase the separation between the equipment and the receiver

III CONFIGURING THE FEEDER

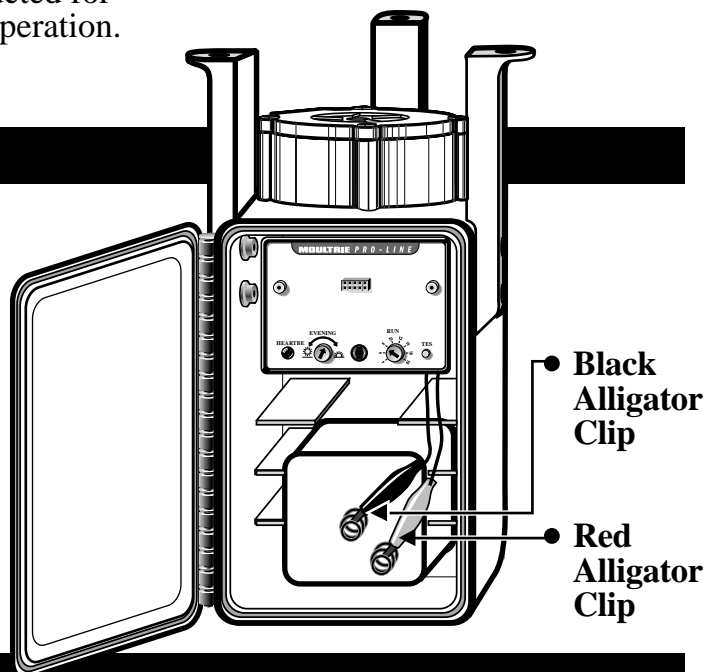
Your Moultrie Pro-Line Directional Feeder Kit is Light Sensor Activated and will feed twice per day, at dawn and again at dusk.



IV INSTALLING THE BATTERY



Install a 6-Volt Alkaline (ex. Energizer™) or Moultrie rechargeable battery by attaching the Red Alligator Clip to the positive terminal (+) and the Black Alligator Clip to the negative (-) terminal.



TIPS AND POINTERS

1: (Q) When should I fill the drum on my feeder? (A) To prevent damage to the feeder kit, do not load drum until unit is off the ground.

2: (Q) I have a hanging feeder. What should I hang it with and how high should I hang it? (A) Some animals will chew through products like rope, so chain or steel cable is best. The bottom of the feeder should be about 7 feet from the ground.

3: (Q) What kind of feed should I use for deer, turkey, etc.? (A) Shelled kernel corn is recommended. Shelled kernel corn mixed with soybeans or pellets is also effective for attracting deer. NOTE: When not mixed with corn, some pellet type feeds can take on moisture and clog the feeder.

4: (Q) What kind of feed should I use for fish? (A) Floating fish food is recommended. Larger pelletized food can cause jams in the shroud.

5: (Q) How long should I set the feeder to run? (A) Many customers find that 4 or 5 seconds is long enough to establish a feeding pattern.

6: (Q) Some of the feed in the bottom of my drum never seems to move, and may be getting moldy. Any solution? (A) For 30 and 55 gallon barrels, Moultrie has developed internal funnels to solve this problem. The part numbers are MFH-FUN30 for a 30-gallon drum and MFH-FUN55 for a 55-gallon drum.

7: (Q) What should I do if my feeder isn't working? (A) Check the battery first by changing to a known good battery. If a problem still exists, call Moultrie Customer Service at the number below.

8: (Q) What type of battery should I use? (A) For best performance, use a rechargeable 6-Volt, 5 Amp Moultrie brand battery. If disposable batteries will be used in your unit, Energizer™ alkaline batteries are required for proper operation.

9: (Q) Can I get replacement parts for my feeder? (A) Yes, you may purchase the following Moultrie replacement parts.

- 6V Rechargeable BatteryMFH-RB6
- 6V Battery ChargerMFH-BC6



Our Service Department will gladly answer any questions you have.
Call 205-664-6700 Monday – Friday, 8:00 AM to 5:00 PM CST.
www.moultriefeders.com