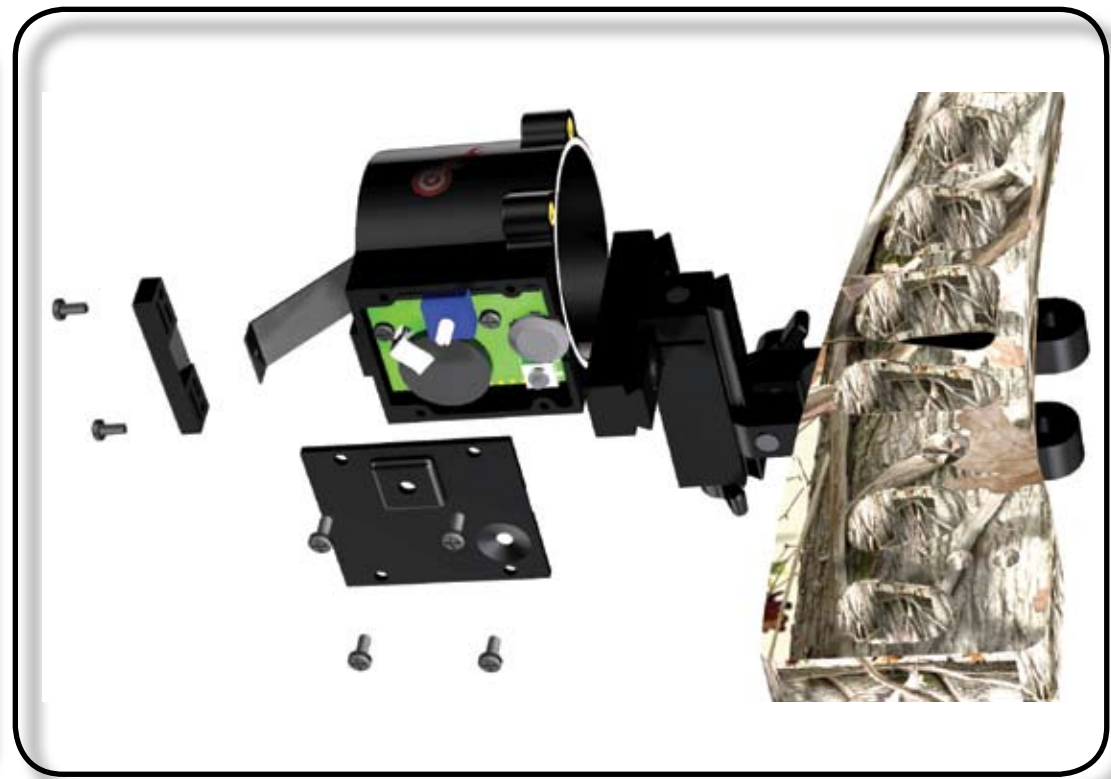
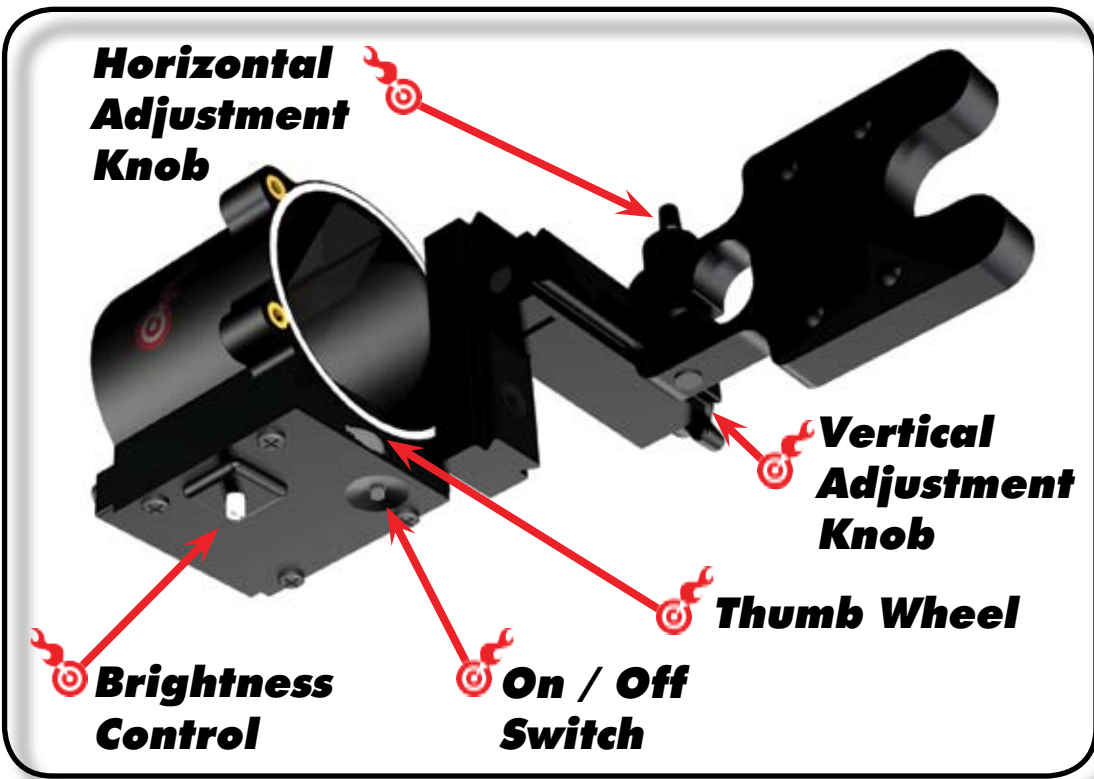


Summit's Hot Dot Premium Bow Sight™ - Instructions Pg. 1



1 { Basic Controls }

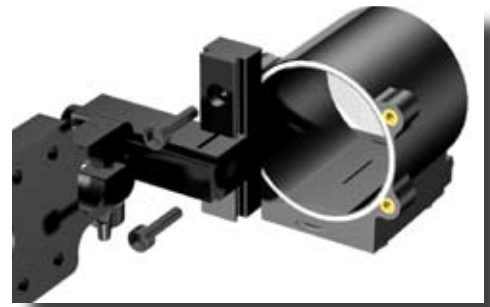
- On / Off Switch - Powers the Sight and is used to adjust settings in Pendulum and Fixed Pin Modes (Deluxe Model Only).
- Thumb Wheel - Cycles through pin modes (Deluxe Model Only).
- Brightness Control - Adjust to varying light conditions by turning the knob.
- Horizontal Adjustment Knob - Tool-less knob for adjusting right/left alignment.
- Vertical Adjustment Knob - Tool-less knob for adjusting up/down alignment.

2 { Attachment to Your Bow }

Your Hot Dot should be pre-assembled for mounting on a Right Handed Riser.



- To convert to a Left Handed Setup:**
- Remove the two Vertical Dove Tail to Sight bolts.
 - Flip the entire Bracket assembly 180 degrees and bolt to the opposite Sight Mounting Holes.



- The Horizontal Adjustment Knob will be on the bottom of the Riser Bracket**
- Use the two supplied bolts to secure the Riser Bracket to your bow riser.

3 { Getting Started - Standard/Deluxe Model }



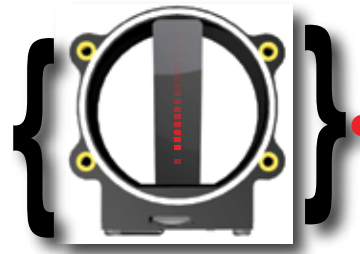
- On the Deluxe model - Rotate the Thumb Wheel all the way to the Left (Pendulum Mode).
- Power sight on by pressing the On / Off Switch. The initial number of LED's indicates what bow speed the sight is on. By default the sight is set on MEDIUM (10 LED's).

The Hot Dot sight has three bow speed modes. Slow, Medium and Fast. These speed settings are designed to take into account arrow weight, bow strength and fletchings which will differ for every user.



- After about 3 seconds you should see a single LED. Since you are currently in Pendulum mode, this LED will move with the forward tilt of the bow.

To extend battery life, the sight is designed to shut off after 5 minutes of inactivity. Tilting the bow any amount will wake it back up.

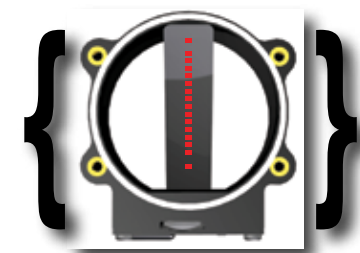


Your sight has a built in electronic level. Tilting the bow to either side over 6 degrees will turn the aiming LED's off. They will not reactivate until you straighten the bow back up to less than 6 degrees. This function cannot be modified or disabled.

- Press the On / Off Switch to power the sight off. Notice that the LED's run from the top down - this is to let you know you have turned the sight off. These LED's light even if the bow is tilted.

4 { Changing your Bow Speed }

You will need to know how to change your bow speed when you do your initial sighting. These steps also allow you to select your single fixed pin mode on the Standard model.



- Power the sight on.
- On the Deluxe Model - Rotate the Thumb Wheel all the way to the Left (Pendulum Mode)

Bow speed adjustments can ONLY be made in Pendulum mode on the Deluxe Model.



- Press and hold the On / Off switch for about 2 seconds. Notice that all 16 LED's light up for a second. You have just put the sight in FAST mode. Release the power button.
- Press and hold the On/Off switch for about 2 seconds. Notice that only 1 LED is active now. This LED does not move - it is FIXED. This is your SETUP PIN. You will use this pin to make your manual adjustments in Part 7 on Page 2 of these instructions.



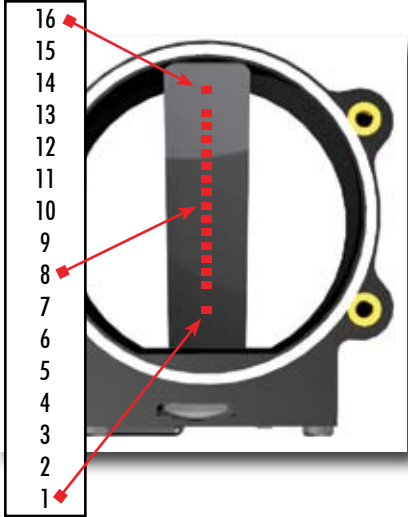
- Press and hold the On/Off Switch for 2 more seconds. Notice now that only 4 LED's are active. You are now in SLOW mode.
- Repeat this one more time to activate the MEDIUM mode.

{ www.summitshotdot.com }

Summit Treestands
715 Summit Dr.
Decatur, AL 35601
256-353-0634

Summit Treestands recommends this sight be installed at an experienced Pro Shop. Please see your dealer if you have any questions on how to install this sight or adjust settings on your bow. We reserve the right to make changes or improvements to this product, without notice, at any time. When installing and sighting in this sight, make sure no part of the arrow comes into contact with any part of the housing or riser brackets.

Instructions Pg. 2



5 {Deluxe Model - Thumb Wheel Overview}

- The Thumb Wheel on the Deluxe model has 10 Modes shown below. Slowly rotate the wheel to access the next mode. Listed below are the default settings for each wheel position.

Mode 1. Pendulum Mode. Your default bow speed is Medium.

Mode 2. Fixed Pin #1. The default LED that lights is #15

Mode 3. Fixed Pin #2. The default LED that lights is #12

Mode 4. Fixed Pin #3. The default LED that lights is #9

Mode 5. Fixed Pin #4. The default LED that lights is #6

Mode 6. Fixed Pin #5. The default LED that lights is #3

Mode 7. Fixed Pin #6. The default LED that lights is #1

Mode 8. Fixed Pin Group 1. Lights the LED's from Mode 2, 3 and 4. LED's 15, 12, 9 light by default.

Mode 9. Fixed Pin Group 2. Lights the LED's from Mode 2, 3, 4, 5 and 6. LED's 15, 12, 9, 6, 3 light by default.

Mode 10. Fixed Pin Group 3. Lights the LED's from Mode 2, 3, 4, 5, 6, and 7. LED's 15, 12, 9, 6, 3, 1, light by default. NOTE: Battery life is shortened when you have 6 LED's on at one time.

6 {Deluxe Model - Adjusting Fixed Pins}

- Rotate the Thumb Wheel to Mode 2 or the first Fixed Pin you see. By default this is LED 15. Press and hold the On/Off Button. Notice that the LED goes blank immediately. A second after that the LED will start scrolling up. The first pin that lights will be 16.
- The LED's will continue to scroll as long as the power switch is held down. After the 16th pin is lit the LED's will all go out for about a second. If you release the power switch at this point it will turn the pin in this location (Fixed pin #1) OFF.

Each pin can be configured to any LED. It is possible to assign one LED to two pins.

- The best way to remember which pin you are on is to count up as you go. Write down the initial setting. Hold the On/Off switch until the LED's cycle all the way back to the bottom. Start counting on the first bottom LED.

Resetting the sight is an easy way to get back to your default settings. Rotate the Thumb Wheel all the way to the right (Fixed Pin Group 3 Mode) and hold the On/Off switch for approximately 5 seconds.

7 {Sighting in your Hot Dot for Pendulum Mode}

- Select Mode 1 (Pendulum Mode) on Thumb wheel - Deluxe Model only.
- Using the steps from Part 4, put the sight in Single Fixed Pin Mode (SETUP PIN).
- From the ground - sight in your bow at 30 yards using the Horizontal and Vertical Mechanical adjustment knobs.
- Now put the sight back to the Medium Bow Speed setting.
- From an elevated position [10-30 feet high] shoot at a target approximately 10 yards away.
- If the bow is shooting low, put the sight into FAST mode (covered on Page 1).
- If the bow is shooting high, put the sight into SLOW mode (also covered on Page 1.)

Once you are sighted in, the sight will compensate for targets closer than 30 yards. Just point and shoot.

If you are in Pendulum mode and you power the sight off when it is tilted, on the next power up the LED's will run from the bottom up to let you know it is on. This feature is always active in Fixed Pin mode

8 {Sighting in your Hot Dot Deluxe for Fixed Pin Mode}

The Default LED arrangement from the factory is configured to give you the widest range between pins. Because of this, mechanical adjustment of the sight for Fixed Pin Mode is required even if you have already sighted in for Pendulum mode. If you would like to use the sight in both modes without having to manually re-sight the bow we recommend you sight in normally in Pendulum mode. Make a small mark on the vertical dove tail once you are sighted in. You can then sight in on Fixed Pin Mode and make another small mark. Sliding the sight between these two marks will enable you to use both modes.

- The three Fixed Pin Groups determine which LED's are lit at any given time. For example - Mode 8 (Group 1) will light the LED's from Mode 2, Mode 3 and Mode 4 - no matter what those LED's are set on.
- Start by sighting in at 30 yards. We recommend you use the Mode 2 pin to start with. Mechanically adjust the sight to work with this pin.
- Next, roll the Thumb wheel to Mode 3. Notice that the LED drops. We recommend you sight this pin in at 40 yards. If the pin is off you will need to adjust it up or down as discussed in the Adjusting Fixed Pins section.

Any LED in any Mode can be turned OFF so that it doesn't light up when turned to the Pin Group Modes



8 {Sighting in your Hot Dot Deluxe for Fixed Pin Mode cont.}

- Next, select Mode 4 from the Thumb wheel. We recommend you sight this pin in at 50 yards. As with all these pins, you may have to adjust the LED up or down to sight it in.
- Continue these steps until you have all 6 Modes sighted in.
- Next, slowly rotate the thumb wheel to Mode 8. You should now see three LED's light up (assuming you have not turned any off in the previous steps). Again, these are the three pins from Mode 2, 3 and 4 sighted in at 30, 40, 50 yards.
- Rotate the wheel to the next two modes and the rest of the LED's set will show up.

It is important to know that you can sight in EACH LED at a different range in EACH mode. This complete adjustability allows you to assign multiple pins to each pin group. You do not have to follow our recommended settings for this sight.

9 {Maintenance and Warranty}

{ Battery Removal / Replacement }

- Turn off the sight and remove the 4 mounting screws holding the battery cover to the sight body. Remove the cover.

Your Hot Dot sight has a built in battery backup to store your settings. Once the battery is removed you have approximately 1 minute to insert a new battery before your settings are lost.

- Slide the battery out from under the tab.
- Insert the new battery. A white circular mark shows the location on the board. The Positive side should be up as you are looking at it.
- Reattach the cover using the mounting screws.

Your Hot Dot Premium Bow Sight requires one CR2032 - 3 volt battery. We recommend you replace the battery at least once a year.

{ Lens removal / replacement }

- Remove the two front lens cover screws. Set the lens cover and old lens aside.
- Place the new lens on the tab as shown.
- Place the lens cover back on and secure with the lens cover screws. This will force the lens to take the 45 degree shape.
- Carefully push the lens in at the top. It will bend slightly and snap into place inside the housing.

{ Warranty }

Summit Treestands LLC warrants to the original retail purchaser that this product is free from defects in material and manufacture for twelve (12) months from time of purchase. This warranty does not apply to the clear lens assembly. This warranty does not apply to any product which has been subjected to misuse, misapplication, neglect, improper installation or modification. Removal of the internal electronic assembly will void this warranty. Summit Treestands will not guarantee the accuracy of the sight if the board has been removed. Please contact us at www.summitshotdot.com for any warranty repair questions.

©STLLC 2007

Summit's Hot Dot Premium Bow Sight™

86000 / 86001

Patent Pending

HOT DOT
{ KILL }
THE
EXCUSES