



Summit Classic Deluxe Tripod 16' Leg Kit PN 81521



WARNING

You must fully read, understand and follow these warnings and instructions (written and video)! Failure to follow these instructions may cause serious injury or death!!

You **MUST** also view the enclosed DVD **BEFORE** using your new treestand!!

WEIGHT LIMIT

SINGLE USER
300 LBS. X 1 TOTAL*

DO NOT EXCEED THIS LIMIT!
(* Includes all gear)

2010 Academy Series Tripod 16' - 2/2010

WARNING

This 16' Leg Kit **MUST ONLY BE USED** with the Summit Classic Deluxe Tripod Top, PN 81518.
DO NOT USE this leg kit with any other model of Tripod, Ladder or Treestand.

- IT IS IMPORTANT TO NOTE THAT A FALL CAN OCCUR AT ANY TIME AFTER LEAVING THE GROUND.
- ALWAYS MAINTAIN THREE POINTS OF CONTACT WHEN YOU CLIMB THE LADDER SECTION OF THIS TRIPOD!
- READ AND UNDERSTAND ALL OF THE MANUFACTURER'S WARNINGS AND INSTRUCTIONS AND USE ALL SAFETY DEVICES PROVIDED. CONTACT SUMMIT TREESTANDS FOR ANY QUESTIONS. FAILURE TO DO SO COULD RESULT IN INJURY OR DEATH!
- A SIGNAL DEVICE SUCH A MOBILE PHONE, RADIO, WHISTLE, SIGNAL FLARE OR PERSONAL LOCATOR DEVICE (PLD) MUST BE ON YOUR PERSON AND READILY AVAILABLE AT ALL TIMES! ALWAYS INFORM SOMEONE OF YOUR HUNTING LOCATION, WHERE THE TRIPOD WILL BE LOCATED AND THE EXPECTED DURATION OF THE HUNT!
- DO NOT USE THIS TRIPOD UNLESS YOU ARE IN GOOD PHYSICAL SHAPE AND HAVE NO PHYSICAL LIMITATIONS OR MEDICAL CONDITIONS WHICH MAY PREVENT YOU FROM SAFELY USING THIS PRODUCT. ALWAYS CONSULT A PHYSICIAN IF YOU HAVE ANY QUESTIONS ABOUT YOUR PHYSICAL ABILITY TO USE THIS PRODUCT.
- NEVER USE THIS TRIPOD WHILE TAKING DRUGS, ALCOHOL OR CERTAIN PRESCRIPTION DRUGS! ALWAYS CONSULT A PHYSICIAN IF YOU HAVE ANY QUESTION ABOUT TAKING SPECIFIC MEDICATIONS AND USING THIS PRODUCT!
- NEVER USE THIS TRIPOD DURING INCLEMENT WEATHER SUCH AS RAIN, LIGHTNING, WINDSTORMS OR ICY CONDITIONS! END YOUR HUNT AND RETURN TO THE GROUND IF ANY OF THESE INCLEMENT CONDITIONS ARISE.
- NEVER USE THIS TRIPOD WHEN FEELING ILL, NAUSEOUS, DROWSY OR DIZZY!
- BE WELL RESTED AND NEVER HURRY. HURRYING CAUSES ACCIDENTS!
- CHECK EVERY COLUMN SECTION CONNECTION EVERY TIME YOU USE THE TRIPOD. IF ANY COLUMN SECTIONS ARE SEPARATING - DO NOT USE THE TRIPOD!
- ALWAYS USE THE SUPPLIED SPIKES TO SECURE THIS TRIPOD TO THE GROUND BEFORE USE - EVEN IF IT IS TO BE USED WITHOUT A LEG EXTENSION KIT!
- NEVER SETUP OR USE THIS TRIPOD AROUND POWER LINES, POWER TRANSFORMERS, SUBSTATIONS OR POWER GENERATORS!
- CHECK THE GROUND UNDER THE TRIPOD TO MAKE SURE IT IS FIRM AND LEVEL. SLOPING GROUND OR AN UNEVEN SURFACE (ONE COLUMN SECTION ON A ROCK FOR EXAMPLE) CAN CAUSE YOUR TRIPOD TO TILT OR SHIFT AS YOU CLIMB.
- PULL UP A BOW, BACKPACK, FIREARM OR OTHER EQUIPMENT ONLY AFTER BEING SECURE IN THE TRIPOD. FIREARMS MUST BE PULLED UP UNLOADED, CHAMBER OPEN AND MUZZLE DOWN!
- NEVER MODIFY YOUR TRIPOD IN ANY WAY BY MAKING REPAIRS, REPLACING PARTS, OR ALTERING ADDING OR ATTACHING ANYTHING TO IT EXCEPT IF EXPLICITLY AUTHORIZED IN WRITING BY THE MANUFACTURER!
- INSTRUCTIONS (WRITTEN AND VIDEO) SHOULD BE KEPT IN A SAFE PLACE AND REVIEWED AT LEAST ANNUALLY. IT IS THE RESPONSIBILITY OF THE TRIPOD OWNER TO FURNISH THE COMPLETE INSTRUCTIONS TO ANY PERSON WHO BORROWS OR PURCHASES THE TRIPOD! THIS SUMMIT TRIPOD IS DESIGNED TO BE USED AS A COMPLETE SYSTEM - NEVER LOAN OR SELL ONLY A PORTION OF THIS TRIPOD.
- BEFORE EACH USE OF YOUR SUMMIT TRIPOD, ALWAYS INSPECT THE TRIPOD FOR ANY DAMAGE, CRACKS, TEARS, WEAR OR ABRASION THAT MAY HAVE OCCURRED IN TRANSPORTING / STORING YOUR TREESTAND. DO NOT USE IF ANY DAMAGE IS FOUND! CONTACT CUSTOMER SERVICE FOR THE APPROPRIATE REPAIR / REPLACEMENT PROCEDURE!
- DO NOT LEAVE YOUR TRIPOD OUTDOORS WHEN IT IS NOT BEING USED! ANY STAND TUBING THAT IS ALLOWED TO FILL WITH RAINWATER AND FREEZE WILL RUPTURE OR BURST - DO NOT USE YOUR TRIPOD IF THIS OCCURS!
- ALWAYS USE FOUR PEOPLE TO SETUP THIS TRIPOD!

1 INDEX

GENERAL WARNINGS AND PRECAUTIONS, TRIPOD WEIGHT LIMITS	PG 1
SECTION 1 - INDEX	PG 2
SECTION 2 - PARTS LIST	PG 2
SECTION 3 - TOOLS REQUIRED	PG 2
SECTION 4 - ASSEMBLY	PG 3 - 9
SECTION 5 - SETUP AND USE	PG 10
SECTION 6 - MAINTENANCE AND CARE	PG 11
SECTION 7 - WARRANTY INFORMATION	PG 11

2 PARTS LIST

Please call 256-353-0634 or visit <http://www.summitstands.com/contactus/> if you have any questions, if you need replacement parts, if you have any missing parts or if the included DVD does not play.

BOX CONTENTS

PN	DESCRIPTION	QTY
14061.300	COUPLER PLATE	6
14061.400	BRACKET	12
14061.500	UPPER CROSS BRACE	6
14061.100	72" LADDER ASSEMBLY	2
14061.200	72" LEG ASSEMBLY	4
14061.800	HARDWARE PACKET	1
14061.600	LOWER CROSS BRACE A (7/8")	6
14061.700	LOWER CROSS BRACE B (3/4")	6
14060.1602	INSTRUCTION BOOKLET	1
14060.1700	INSTRUCTIONAL DVD	1

14061.800 - HARDWARE PACKET

Throughout these instructions, bolts listed in **RED** are 5/16" thread. Bolts listed in **BLUE** are 1/4" thread.

PN	DESCRIPTION	QTY
10610	2 3/4" BOLT, 5/16x18	18
10617	LOCK NUT, 5/16x18	18
10600	1 1/2" BOLT, 1/4x20	30
10612	LOCK NUT, 1/4x20	30

3 TOOLS REQUIRED

Tools

- 7/16" Wrenches and / or Socket / Ratchet
- 1/2" Wrenches and / or Socket / Ratchet

- Assembly can be made easier by the use of a powered ratchet or drill with socket adapter (take care not to overtighten when using power tools to assemble)
- It is recommended that all bolts be sorted by thread count / length prior to assembly.
- Due to the large size of these tripods, it is mandatory that four people initially setup the tripod.

Use

- Leg Braces - 1/4x20 hardware
- Leg Couplers / Brackets - 5/16x18 hardware

4 ASSEMBLY

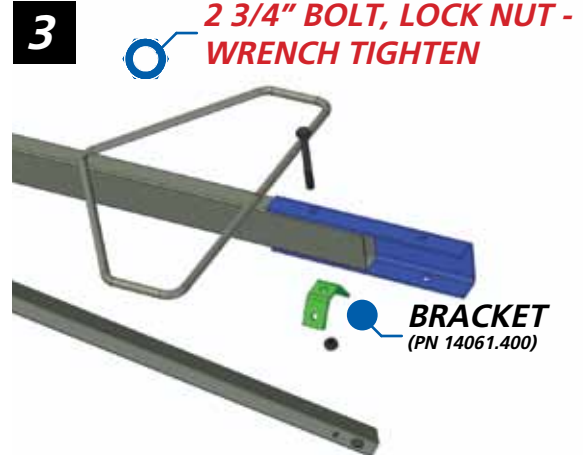
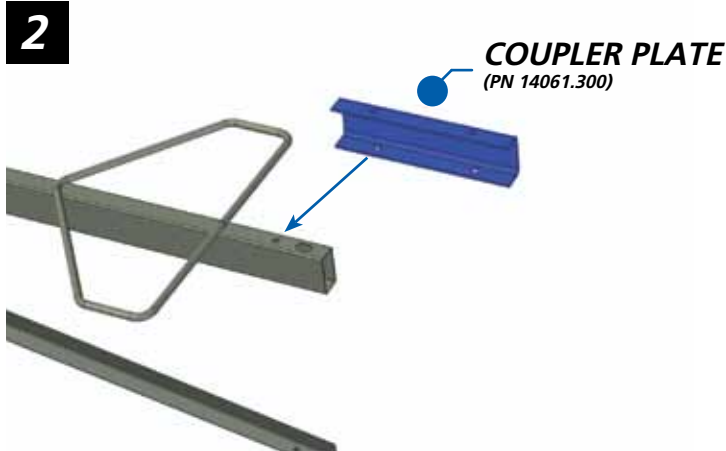
COMBINING WITH PN 81518

1. Please refer to the written instructions included with your Summit Deluxe Tripod Top for information on how to assemble the top section.
2. The completed 81518 top can be transported as a unit to make assembly easier in the field.

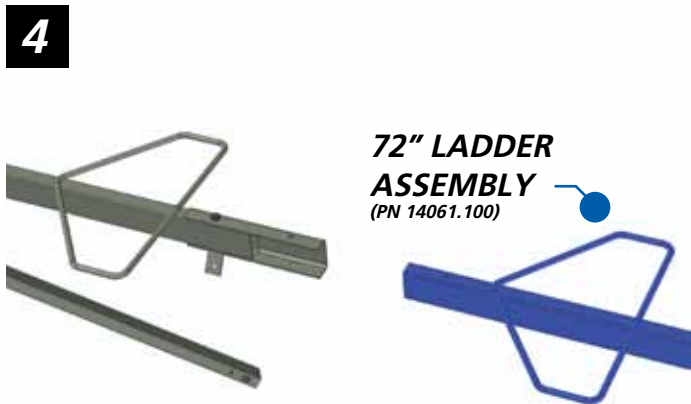


UPPER LEG ASSEMBLY

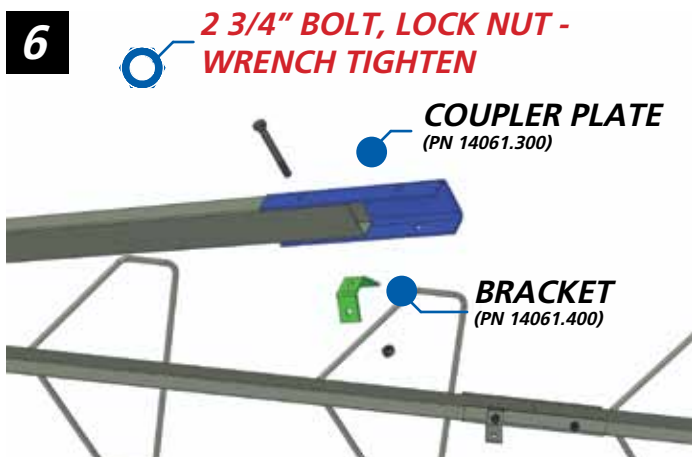
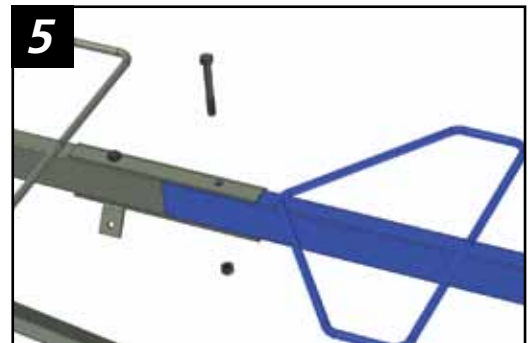
1. Carefully lay the completed 81518 top section on its side - ladder rungs up as shown in **figure 1**.
2. Position one of the Coupler Plates as shown in **figure 2**. Slide the plate over the leg and line up the holes. **NOTE:** Coupler Plate must line up with the round holes and not the oval holes.
3. Position one of the Brackets as shown in **figure 3**. The bracket should be bolted to the Coupler Plate so that it runs horizontal when the tripod is sitting upright.
4. Use one **2 3/4" bolt and lock nut** to secure both the Bracket and Coupler Plate.



5. Position the 72" Ladder Assembly as shown in **figure 4**.
6. Slide the Assembly into the Coupler Plate and secure with one, **2 3/4" bolt and lock nut**. (see **figure 5**)



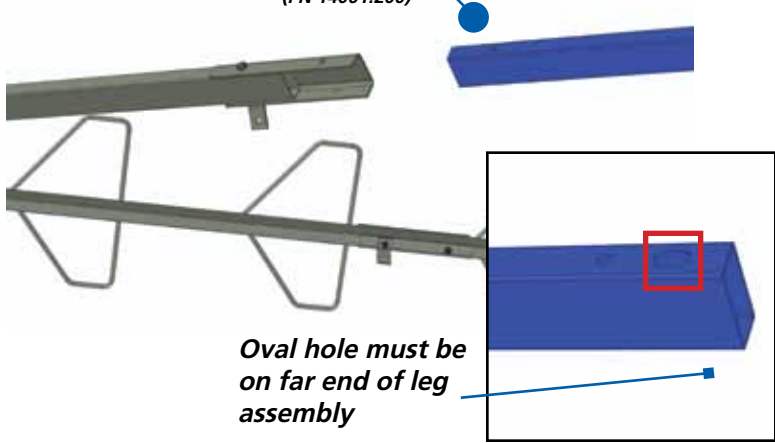
2 3/4" BOLT, LOCK NUT - WRENCH TIGHTEN



7. Carefully rotate the tripod assembly to gain access to one of the legs.
8. Slide another Coupler Plate on the Leg and line up the round holes as shown in **figure 6**.
9. Position one Bracket as shown in **figure 6** and secure using one **2 3/4" bolt and lock nut**.

6

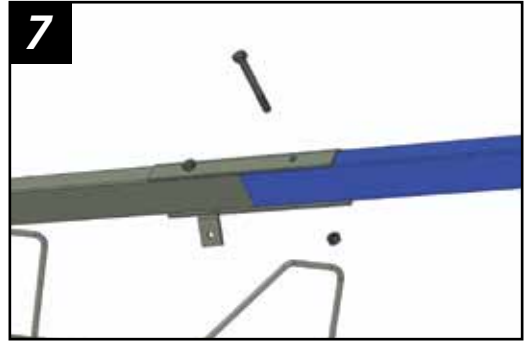
72" LEG ASSEMBLY
(PN 14061.200)



UPPER LEG ASSEMBLY (continued)

- 10. Position one of the 72" Leg Assemblies as shown in **figure 6**. The oval pre-punched holes **MUST** be on the far end of the Leg Assembly. These holes are for the Spikes included with the 81518 Top Section.
- 11. Slide the Leg Assembly into the Coupler Plate and secure using one **2 3/4" bolt and lock nut** as shown in **figure 7**.
- 12. Rotate the tripod and repeat for the other Leg Assembly.

2 3/4" BOLT, LOCK NUT - WRENCH TIGHTEN

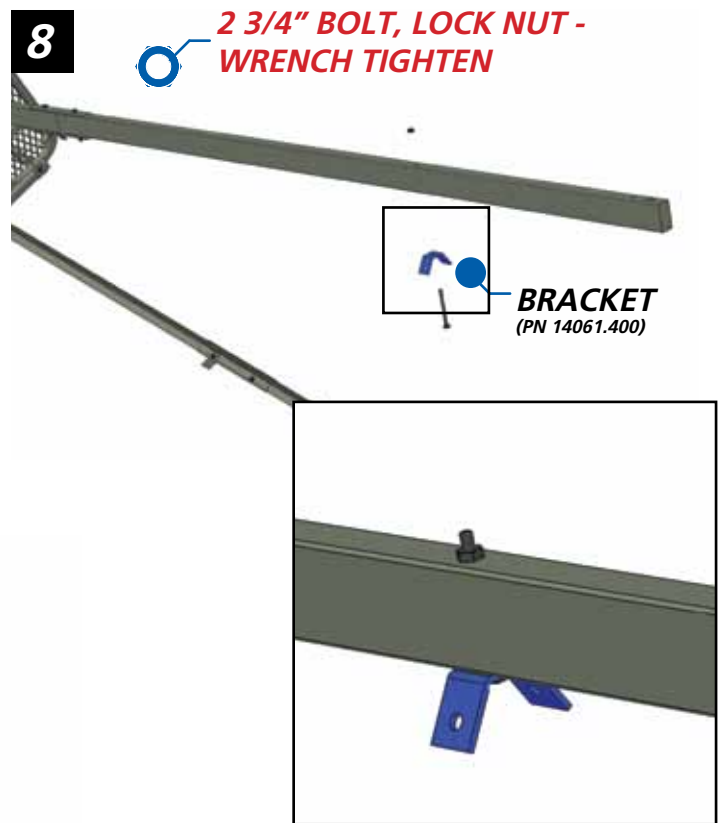


UPPER CROSS BRACES

- 1. Locate the pre-punched hole a little more than half-way down the Leg Assembly.
- 2. Position one Bracket over this hole from the inside and secure using one **2 3/4" bolt and lock nut** as shown in **figure 8**. **You must run this bolt from the inside out so that the head of the bolt is sitting on the Bracket when tight.** As before, the Bracket should run horizontal to the ground when the tripod is standing up.
- 3. Repeat for the other Leg Assembly and the Ladder Assembly as shown in **figure 9**. Use one **2 3/4" bolt and lock nut** to secure each Bracket. **You must run these bolts from the inside out so that the head of the bolt is sitting on the Bracket when tight.**

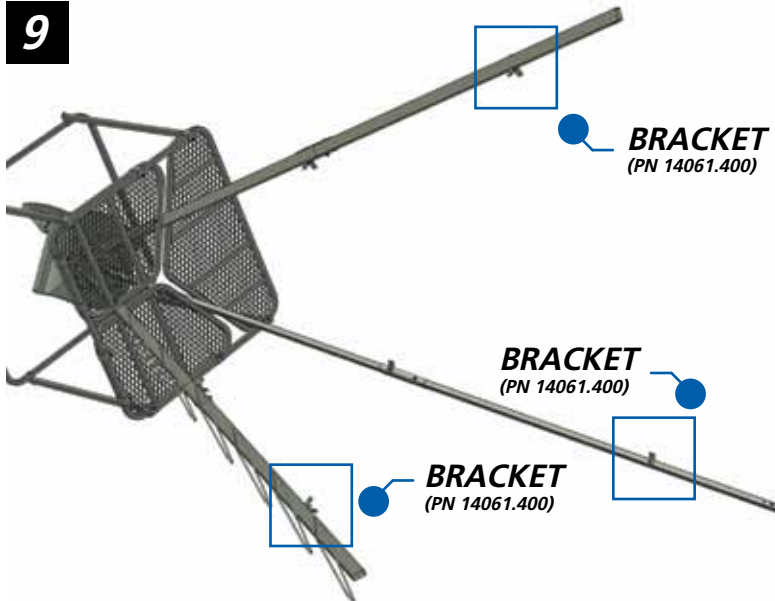
8

2 3/4" BOLT, LOCK NUT - WRENCH TIGHTEN



2 3/4" BOLTS, LOCK NUTS - WRENCH TIGHTEN

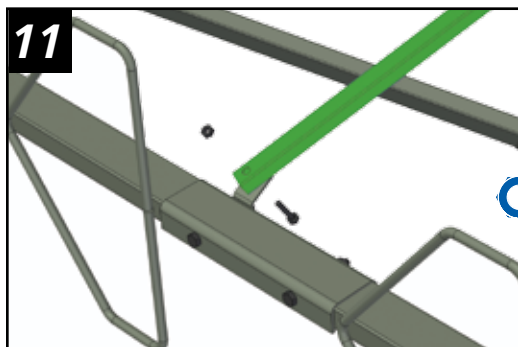
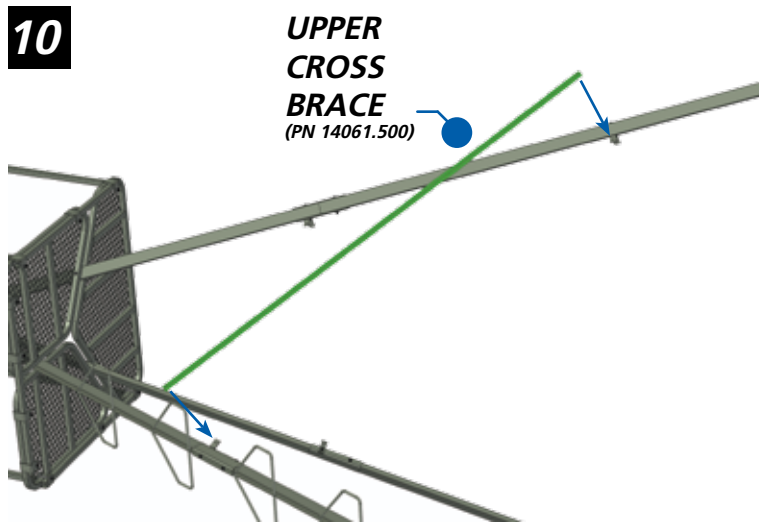
9



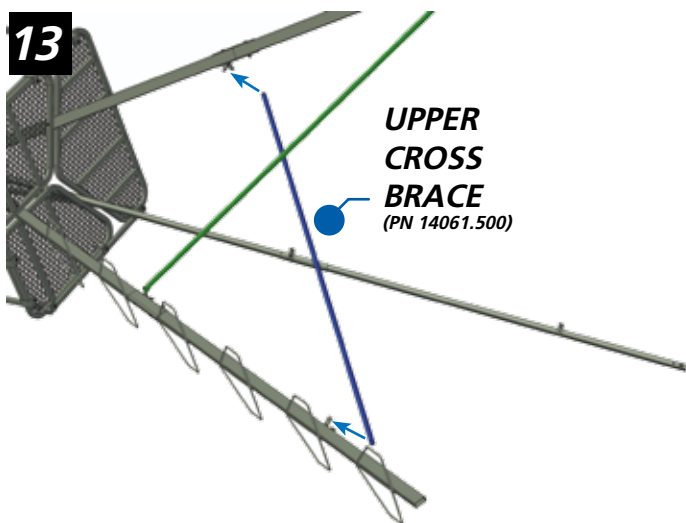
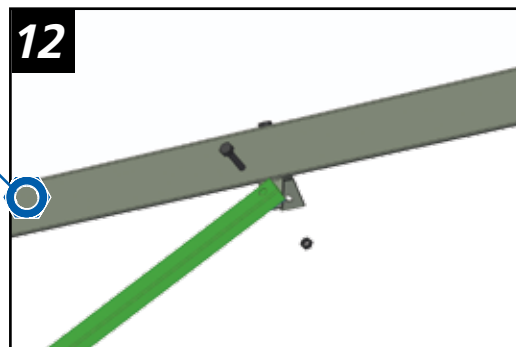
UPPER CROSS BRACES (continued)

4. The six Upper Cross Braces will attach next. Start by positioning one Cross Brace as shown in **figure 10**. This Brace will bolt to the **OUTSIDE** of the two Brackets, as shown in **figure 11 and figure 12**.

5. Use one 1 1/2" bolt and lock nut at each Bracket to secure the Brace. Run these bolts from the inside out so that the nut is on the outside of the tube.



1 1/2" BOLTS, LOCK NUTS -
WRENCH TIGHTEN



UPPER CROSS BRACES (continued)

6. Position one Upper Cross Brace (in blue) as shown in **figure 13**. This Brace will bolt to the **INSIDE** of the two Brackets, as shown in **figure 14 and figure 15** and it will sit on the **INSIDE** of the Brace installed in **Step 4-5** (shown in green)

7. Use one 1 1/2" bolt and lock nut at each Bracket to secure the Brace. Run these bolts from the inside out so that the nut is on the outside of the Bracket.



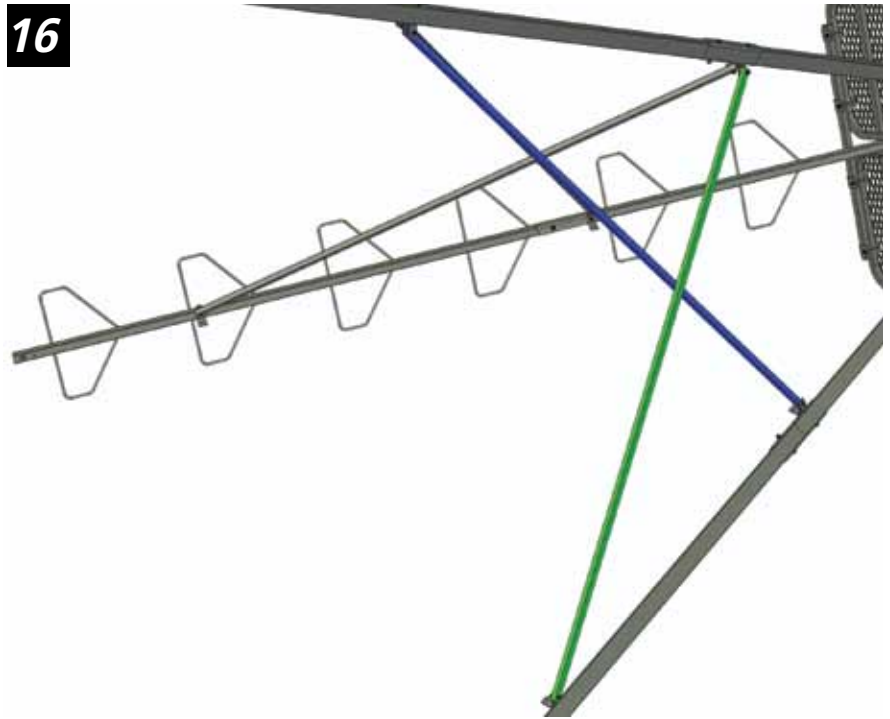
1 1/2" BOLTS, LOCK NUTS -
WRENCH TIGHTEN



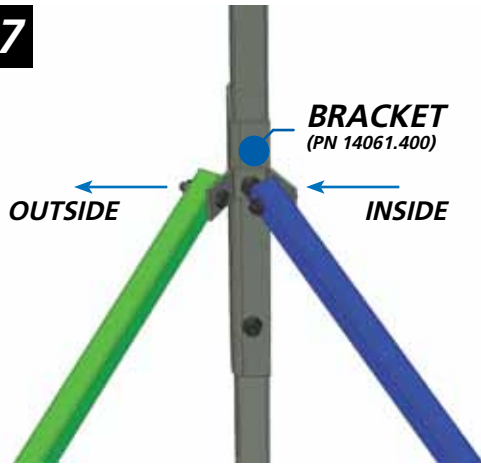
UPPER CROSS BRACES (continued)

8. Walk around to the opposite side of the Tripod. Attach one more Upper Cross Brace (in green) to the **OUTSIDE** of the Bracket and one more Cross Brace (in blue) to the **INSIDE** of the Bracket. See **figure 16**. **Figure 17** shows the correct placement of braces. Each Upper Cross Brace should alternate - with the Green Braces always bolting to the outside of the bracket and the Blue Braces always bolting to the inside.
9. Use 1 1/2" bolts and lock nuts at each connection point.

16



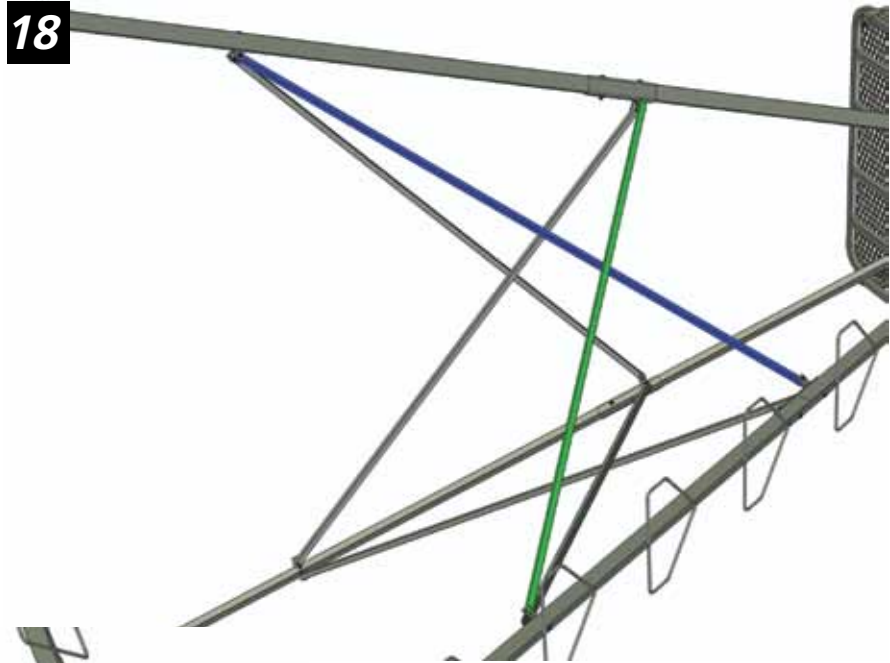
17



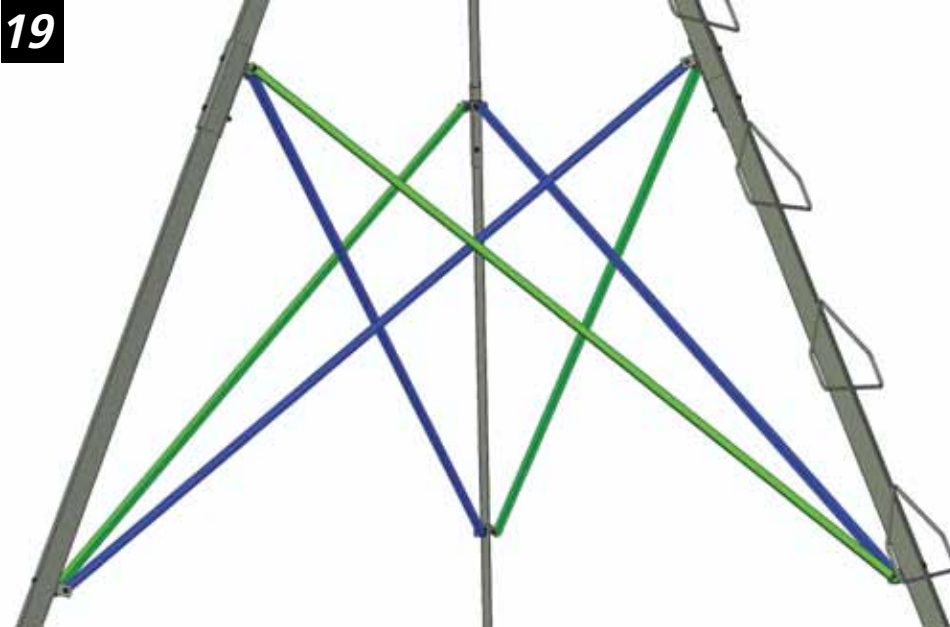
UPPER CROSS BRACES (continued)

10. Rotate the tripod so that you can bolt up the last two Upper Cross Braces. These Braces attach the same way. See **figure 18**. The Upper Cross Brace (in green) attaches to the outside of the Bracket while the Upper Cross Brace (in blue) attaches to the inside of the Bracket. Use 1 1/2" bolts and lock nuts at each connection point.
11. The finished Cross Brace setup should look like **figure 19**. Note that the green Upper Cross Braces are on the outside and the blue Upper Cross Braces are on the inside.

18



19



Summit products are manufactured under one or more of the following US Patents: 5,937,969; 5,971,104; 5,975,242; 5,979,603; 6,125,966; 6,182,792; 6,397,973; D,417,011; D,420,147; D,575,411



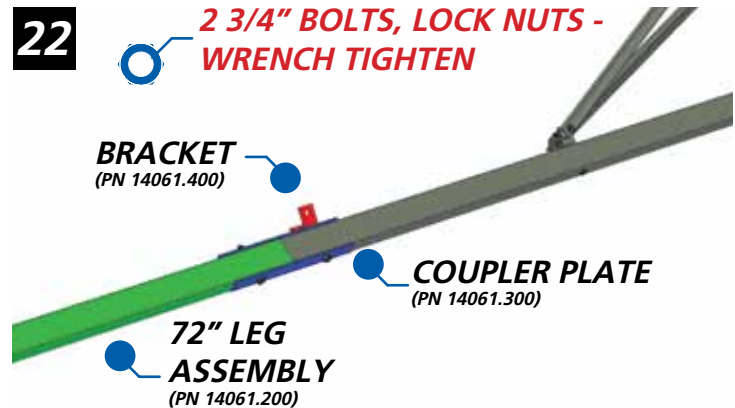
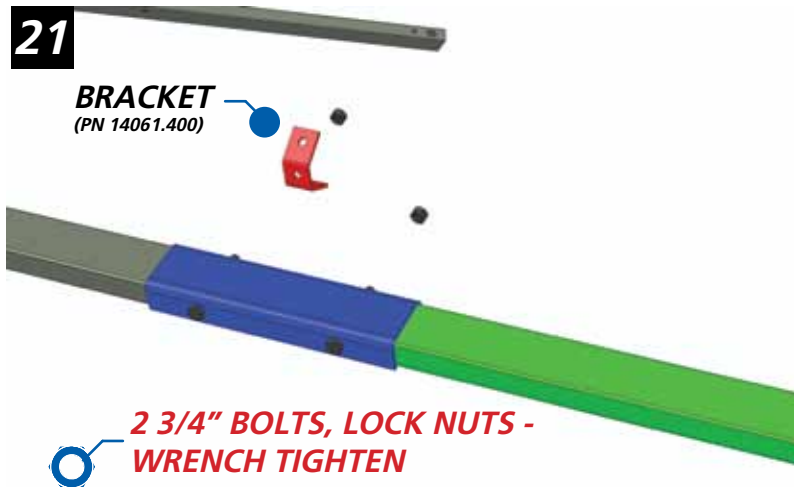
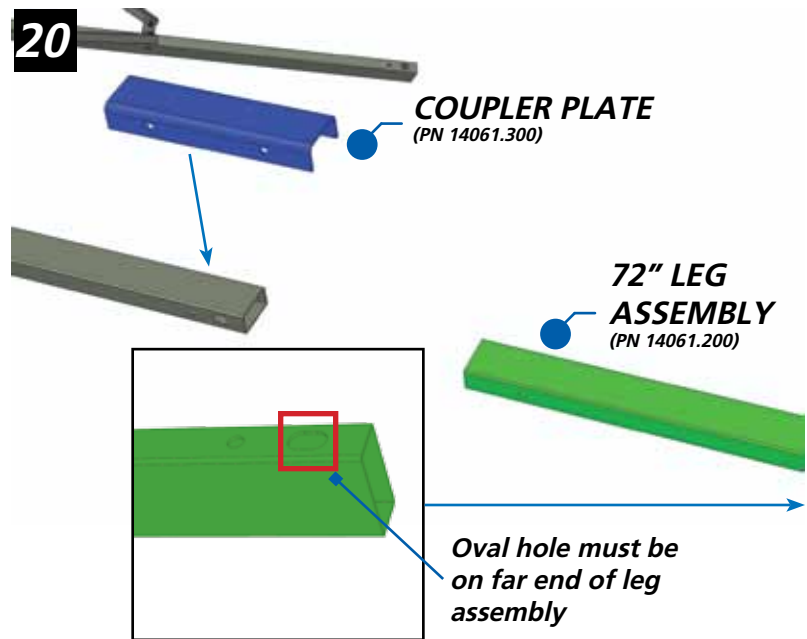
Summit Bucksteps are Patent Pending

NOTICE

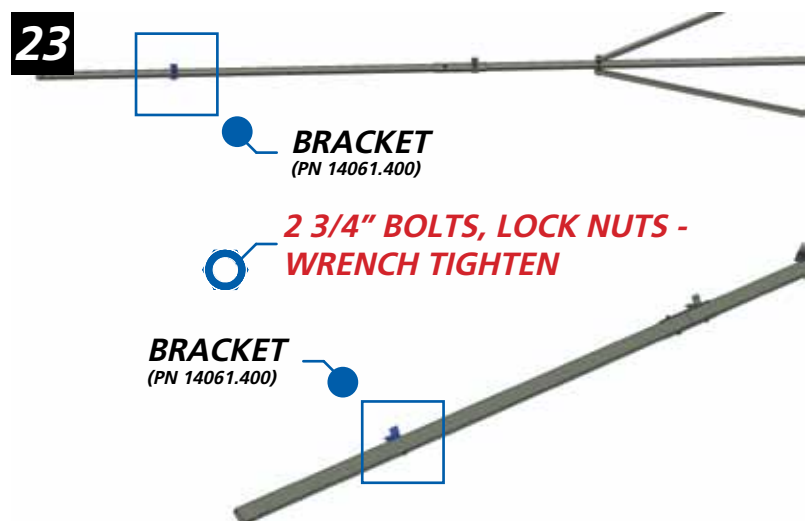
The tripod can be used as a 10' model by not installing the Lower Legs and Lower Leg Braces. Before doing this YOU MUST read the Setup and Use guidelines on Page 10. The spikes supplied with the Tripod top, PN 81518 MUST BE USED.

LOWER LEG ASSEMBLY

1. Position a Coupler Plate and a 72" Leg Assembly as shown in **figure 20**. The oval pre-punched holes **MUST** be on the far end of the 72" Leg Assembly.
2. Line up a Bracket with the upper bolt hole on the inside of the Coupler Plate as shown in **figure 21**. The Bracket must attach as before - horizontal to the ground when the Tripod is standing.
3. Use two **2 3/4" bolts with lock nuts** to secure the Coupler Plate, Bracket and 72" Leg Assembly.



4. Repeat **Steps 1 - 3** for the opposite Leg. *See figure 22.*
5. Locate the pre-punched hole a little further than half-way down the Leg Assembly.
6. Position one Bracket over this hole from the inside and secure using one **2 3/4" bolt and lock nut** as shown in **figure 23**. **You must run this bolt from the inside out so that the head of the bolt is sitting on the Bracket when tight.** As before, the Bracket should run horizontal to the ground when the tripod is standing up.
7. Repeat for the other Leg Assembly. Use one **2 3/4" bolt and lock nut** to secure these Brackets. **You must run this bolt from the inside out so that the head of the bolt is sitting on the Bracket when tight.**



LOWER LEG ASSEMBLY (continued)

8. Use a helper and carefully rotate the Tripod assembly to gain access to the ladder side.

9. Repeat **Steps 1 - 3** for the 72" Ladder Assembly. See **figure 24**.

10. Locate the pre-punched hole a little further than half-way down the 72" Ladder Assembly.

11. Position one Bracket over this hole from the inside and secure using one 2 3/4" bolt and lock nut as shown in **figure 25**. You must run this bolt from the inside out so that the head of the bolt is sitting on the Bracket when tight. As before, the Bracket should run horizontal to the ground when the tripod is standing up.

25

BRACKET
(PN 14061.400)

**2 3/4" BOLT, LOCK NUT -
WRENCH TIGHTEN**

24

**72" LADDER
ASSEMBLY**
(PN 14061.100)

BRACKET
(PN 14061.400)

**COUPLER
PLATE**
(PN 14061.300)

**2 3/4" BOLTS, LOCK NUTS -
WRENCH TIGHTEN**

LOWER CROSS BRACE ASSEMBLY

1. Next, assemble the six Lower Cross Braces. First, Position the Lower Cross Brace A and the Lower Cross Brace B as shown in **figure 26**.

2. Please Note the correct way the Lower Cross Braces are assembled as shown in **figure 27**. Slide the Lower Cross Brace B into the Lower Cross Brace A and line up the bolt hole. The two ends that slide together must be the ends with the pre-punched holes that are 2" from the end of the Brace (see **figure 27**).

3. Secure using one 1 1/2" bolt and lock nut as shown in **figure 28**.

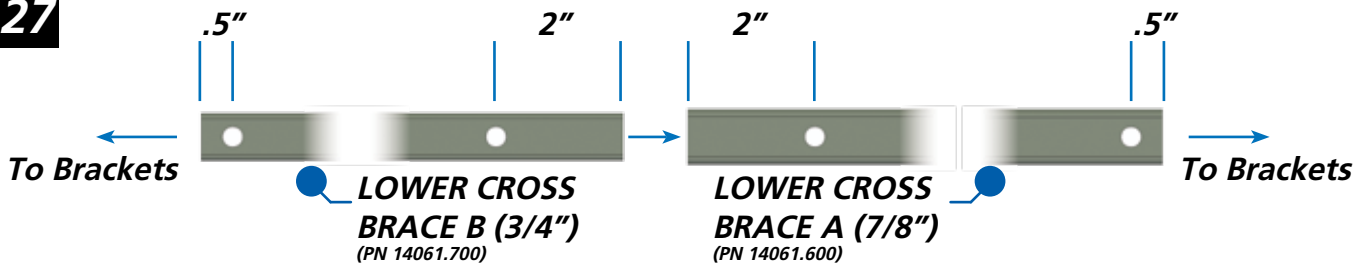
4. Repeat for the other five Braces

**LOWER CROSS
BRACE A (7/8")**
(PN 14061.600)

**LOWER CROSS
BRACE B (3/4")**
(PN 14061.700)

26

27



**1 1/2" BOLT, LOCK NUT -
WRENCH TIGHTEN**

28



LOWER CROSS BRACE ATTACHMENT

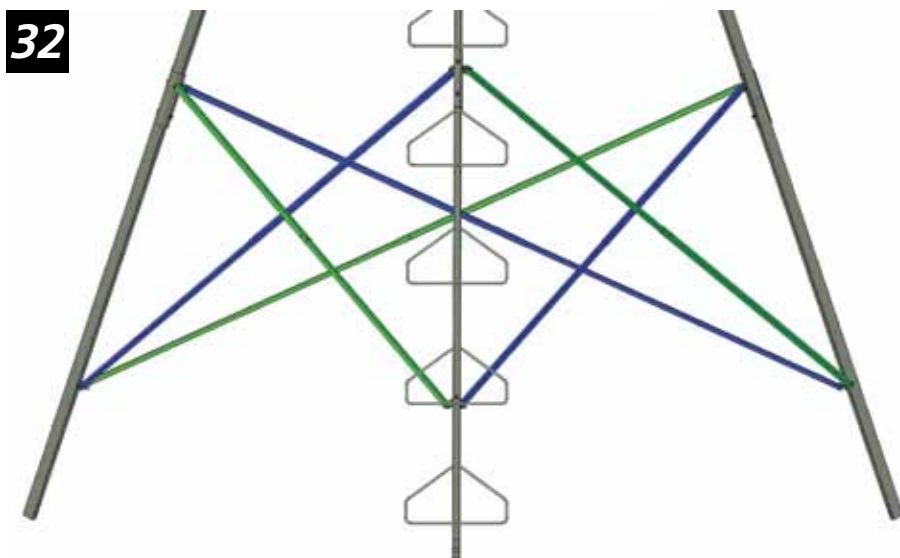
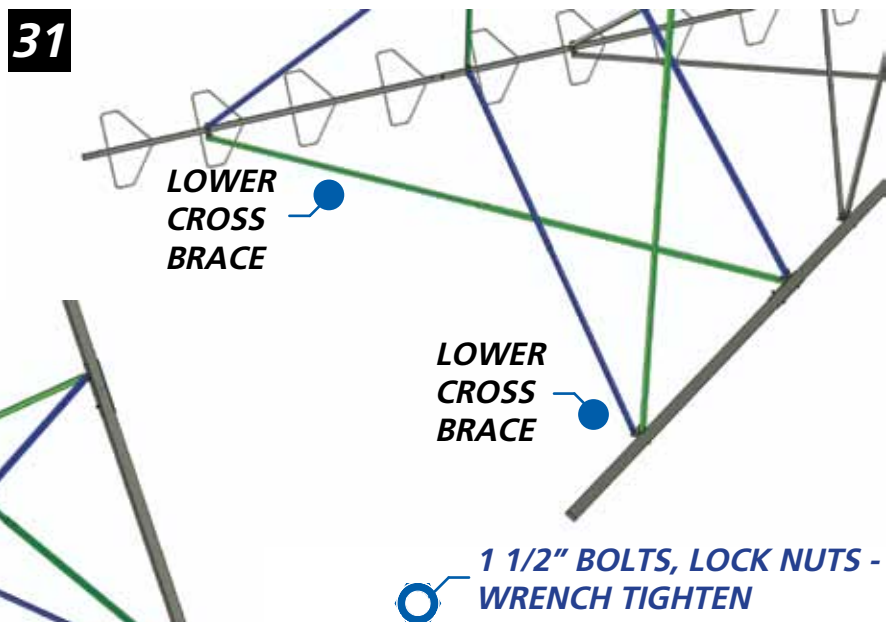
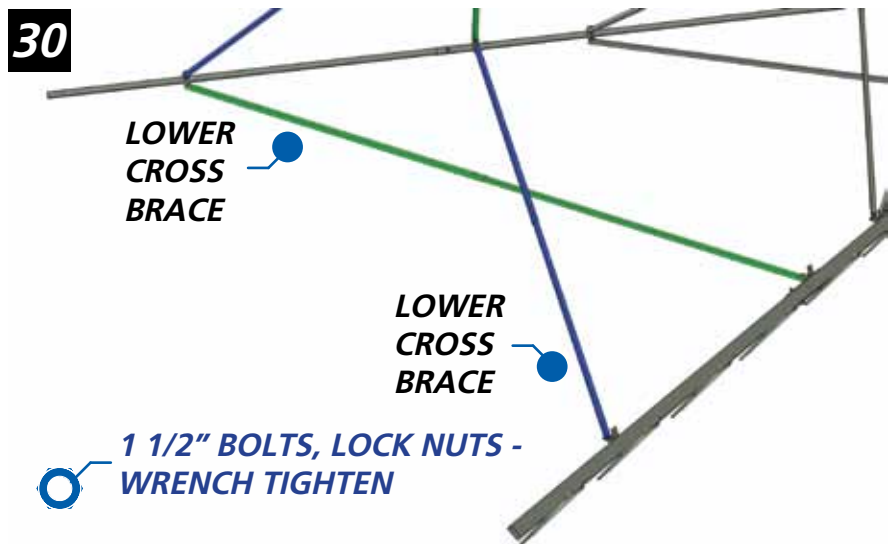
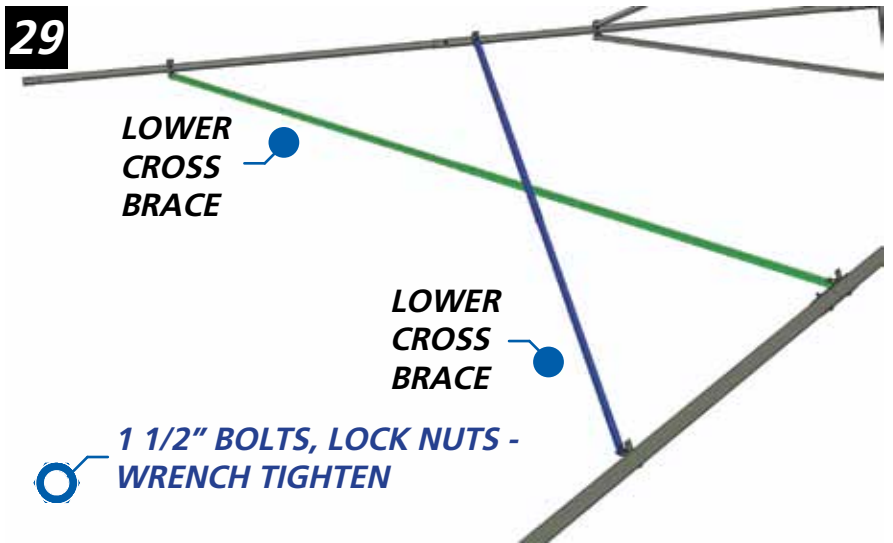
The six Lower Cross Braces will be attached next.

These Lower Cross Braces attach in the same manner as the Upper Cross Braces. In the instruction diagrams, Green Braces attach to the outside of the Brackets and Blue Braces attach to the inside.

CAUTION

Brace attachment must be completed BEFORE attempting to stand the Tripod up.

1. Start by positioning two Lower Cross Braces as shown in **figure 29**. The Green Brace will bolt to the **OUTSIDE** of the two Brackets and the Blue Brace will bolt to the **INSIDE**.
2. Use **1 1/2" bolts and lock nuts** at each Bracket to secure the Braces.
3. Due to the size of the Tripod base, you will have to rotate it in order to attach the next set of braces.
4. Attach two more Lower Cross Braces as shown in **figure 30**. Use **1 1/2" bolts and lock nuts** at each Bracket to secure the Braces.
5. Rotate the Tripod one more time and attach the last two Lower Cross Braces as shown in **figure 31**. Use **1 1/2" bolts and lock nuts** at each Bracket to secure the Braces.
6. The finished Lower Cross Brace setup should look like **figure 32**. Note that the green Lower Cross Braces are on the outside and the blue Lower Cross Braces are on the inside.



5 SETUP AND USE

⚠ WARNING

Due to the large size and weight of this product, it is mandatory that a minimum of **FOUR** people initially help setup this tripod.

⚠ WARNING

Always maintain three points of contact when climbing the ladder portion of this tripod stand.

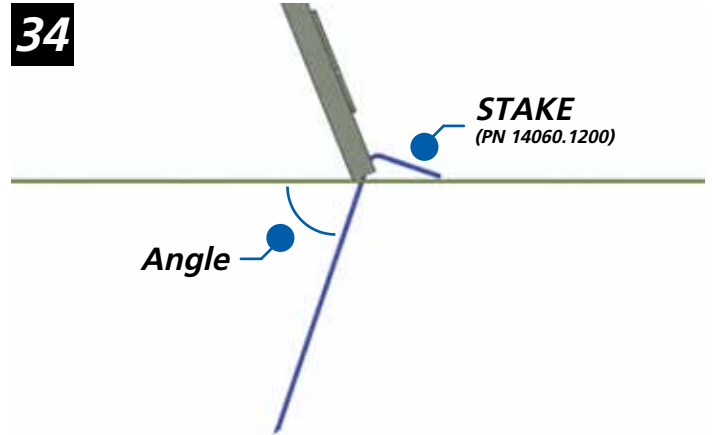
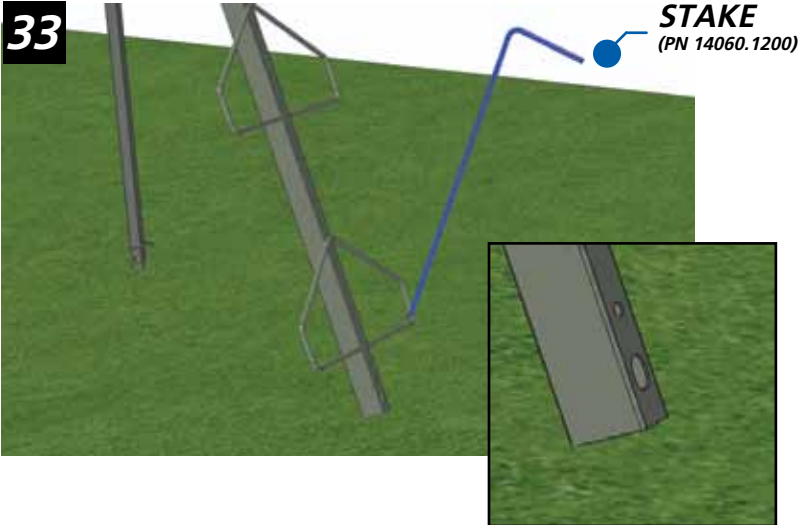
1. Find a suitable area to setup the Tripod. Check the ground under the tripod to make sure it is firm and level. Sloping ground or an uneven surface (one leg section on a rock for example) can cause your tripod to tilt or shift as you climb.
2. Tilt the stand upright by walking the legs upright from the platform down to the end of the legs. Have a third and fourth person secure the top leg once it is low enough to reach. **NOTE:** The stand will be platform / top heavy.
3. Once it is standing upright, insert a stake (supplied with the Tripod Top, PN 81518) through the oval shaped hole at the bottom of each leg as shown in **figure 33**.
4. Push or hammer each spike completely into the ground at angle as shown in **figure 34**.
5. Repeat for the other two stakes.

⚠ WARNING

Always use the supplied stakes to secure this tripod to the ground before use - **EVEN IF THE TRIPOD WILL BE USED WITHOUT A LEG EXTENSION KIT**. Failure to secure the tripod may result in instability.

⚠ WARNING

Stakes must be driven completely into the ground at an angle toward the center of the tripod as shown in **figure 33 and 34**.



6 MAINTENANCE AND CARE

The seat on this ladder stand is removable. We recommend it be removed and stored in a dry place when not in use.

The powdercoat finish applied at the factory is very durable and should only need touch ups in areas of heavy wear or accidental impact. The powder coat is applied only to the exterior surfaces of the treestand so it is possible for some surface rust to form inside the stand tubing. This is normal and should not affect the durability or performance of the stand. **This stand is made from Steel and as a result, rust may develop on any uncoated part of the stand** - including any area that has been nicked or scratched to the bare metal.

Should you damage any part of your Summit Treestand, contact your nearest authorized Summit dealer or the factory to obtain the proper corrective action procedure and/or replacement parts for the treestand.

⚠ CAUTION

Look for nicks, gouges, cuts, cracks, bends, corrosion or similar damage that can be the result of improper use or accidental damage. For instance, this could occur if someone else used the treestand without knowledge of its proper use, or if the treestand were dropped, hit by a motor vehicle or subject to corrosive conditions, etc.

Summit Treestands have the highest structural integrity by design, material selection and manufacturing techniques, but as its owner, only your continued care will assure trouble free performance. When the above-mentioned guidelines are followed, your Summit Treestand will provide years of successful hunting.

7 LIMITED WARRANTY

(A) Warranty

Summit Treestands, LLC (Summit) warrants to the original retail purchaser that all products manufactured by it are free from defects in material and manufacture at the time of shipment for sixty (60) months from the date of purchase. Summit will repair or replace any part found defective if the unit claimed to be defective shall be returned to Summit, postage prepaid, within the warranty period.

This warranty shall not apply to any product which has been subjected to misuse; misapplication; neglect (including but not limited to improper maintenance); accident; improper installation; modification (including but not limited to use of unauthorized parts or attachments); adjustment or repair. THE FOREGOING IS IN LIEU OF ALL OTHER WARRANTIES, WHETHER EXPRESS OR IMPLIED (INCLUDING THOSE OF MERCHANTABILITY AND FITNESS OF ANY PRODUCT FOR A PARTICULAR PURPOSE), AND OF ANY OTHER OBLIGATION OF LIABILITY ON THE PART OF THE COMPANY.

(B) Limitation of Liability

It is expressly understood that Summit's liability for its products, whether due to breach of warranty, negligence, strict liability, or otherwise, is limited to the repair of the product, as stated above, and Summit will not be liable for any other injury, loss, damage, or expense, whether direct or consequential, including but not limited to loss of use, income, profit, or damage to material, arising in connection with the sale, installation, use of, inability to use, or the repair or replacement of Summit's products.

Summit reserves the right to make alterations or modifications in its products at any time, which in its opinion, may improve the performance and efficiency of the product. It shall not be obligated to make such alterations or modifications to products already in service.

Please take the time to fill out the warranty card online at <http://www.summitstands.com/warranty> or fill out and mail in the enclosed warranty card.

www.summitstands.com
www.mysummitgear.com

© 2010 Summit Treestands, LLC
715 Summit Dr. Decatur, AL 35601
(256) 353-0634
info@summitstands.com



